



800 Series Pressure Control Pilot

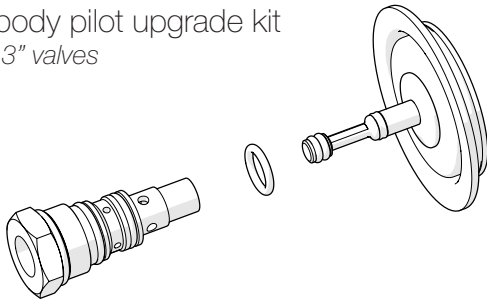
Upgrade Kit Installation

Upgrade Kits

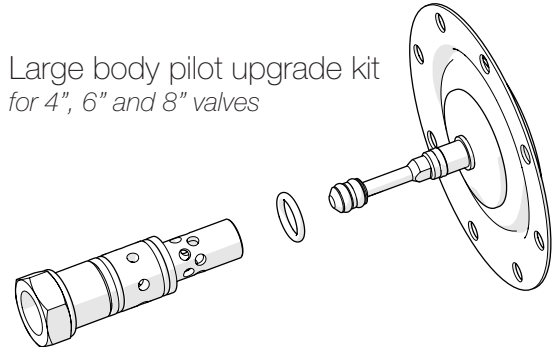
Part #	Description
12229-001	Upgrade kit, small body pilot
12230-001	Upgrade kit, large body pilot

New internal parts of the pressure control pilots were put into production beginning 1/1/2014. The internal parts in pre-2014 pilots cannot be serviced without first being rebuilt using the corresponding upgrade kit. Service kits are available to rebuild pilots manufactured or upgraded after 1/1/2014.

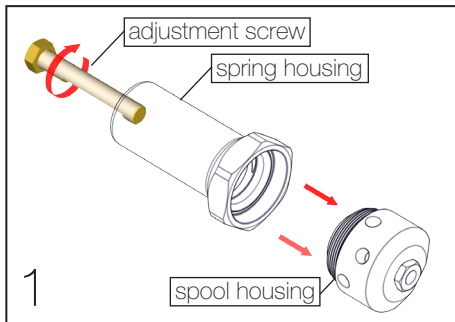
Small body pilot upgrade kit
for 2" & 3" valves



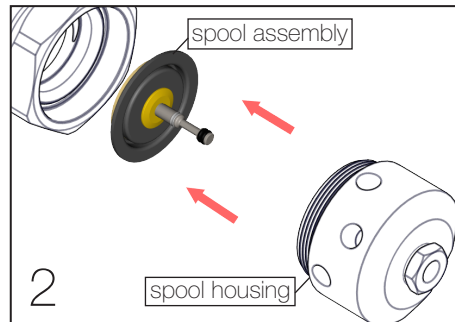
Large body pilot upgrade kit
for 4", 6" and 8" valves



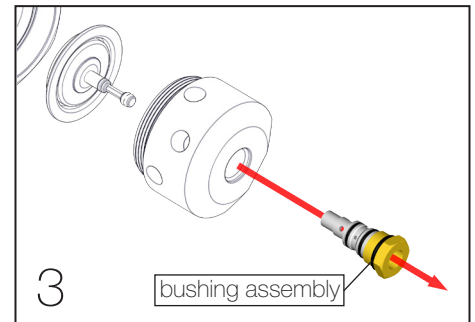
Upgrade Kit Installation Instructions



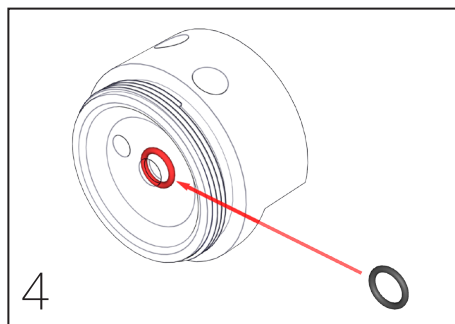
1 Back-off adjustment screw to remove pressure from the spring. Separate spring housing from spool housing.



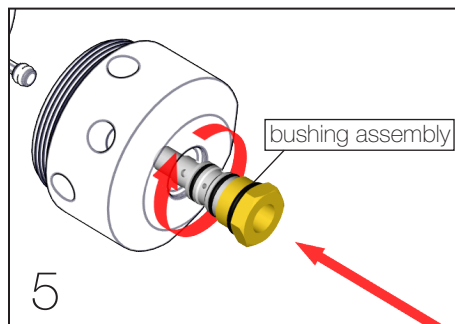
2 Remove spool assembly from spool housing.



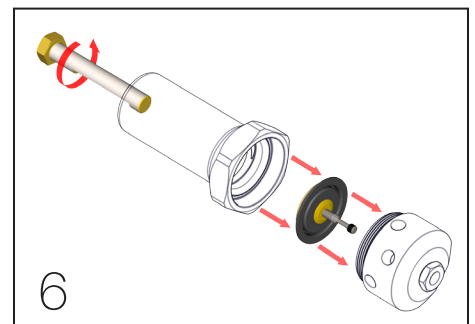
3 Remove existing bushing assembly from spool housing.



4 Replace o-ring in spool housing. Careful not to damage o-ring, making sure it is properly seated in the groove.



5 Install the new bushing assembly in the spool housing. Thread-in the retainer.



6 Install the new spool assembly in spool housing. Re-assemble the spool housing and the spring housing. Set the adjustment screw to the desired pressure set point.