

LARGE PILOT PRESSURE CONTROL KITS FOR 4", 6", 8" VALVES

MODEL #	CONTROL	REGULATION PRESSURE (PSI)	KIT 1/4" TUBING	KIT 3/8" TUBING
D2	Reducing	5-50	9529-001	9529-011
D3	Reducing	10-120	9529-002	9529-012
D4	Reducing	25-200	9529-003	9529-013
D5	Sustaining	25-200	9535-003	9535-013
D8	Sustaining	10-120	9535-002	9535-012
D9	Sustaining	5-50	9535-001	9535-011

SMALL PILOT PRESSURE CONTROL KITS FOR 2" & 3" VALVES

VALVE SIZE	MODEL #	CONTROL	REGULATION PRESSURE (PSI)	KIT 1/4" TUBING
BRASS PILOTS				
2, 3"	D11	Reducing	5-30	9691-003
	D12	Reducing	5-60	9691-001
	D13	Reducing	10-120	9691-002
	D15	Sustaining	5-60	9693-001
	D16	Sustaining	10-120	9693-002
PLASTIC PILOTS				
2"	D21	Reducing	5-30	12340-024
	D22	Reducing	5-60	12340-022
	D23	Reducing	10-120	12340-023
	D25	Sustaining	5-60	12340-016
	D26	Sustaining	10-120	12340-017
3"	D31	Reducing	5-30	12340-021
	D32	Reducing	5-60	12340-019
	D33	Reducing	10-120	12340-020
	D35	Sustaining	5-60	12340-013
	D36	Sustaining	10-120	12340-014

OTHER PILOTS/CONTROLS

MODEL #	CONTROL	REGULATION PRESSURE (PSI)	PILOT	KIT 1/4" TUBING	KIT 3/8" TUBING
D06	Sleeve Exhaust	30	-	9047-002	-
D06-1	Sleeve Exhaust	10	-	9047-004	-
D7	Shuttle Check	-	-	9368	9368-001
D19	2-Way Relief (Surge Anticipator)	20-200	9763	-	-

LARGE BODY PILOT PARTS

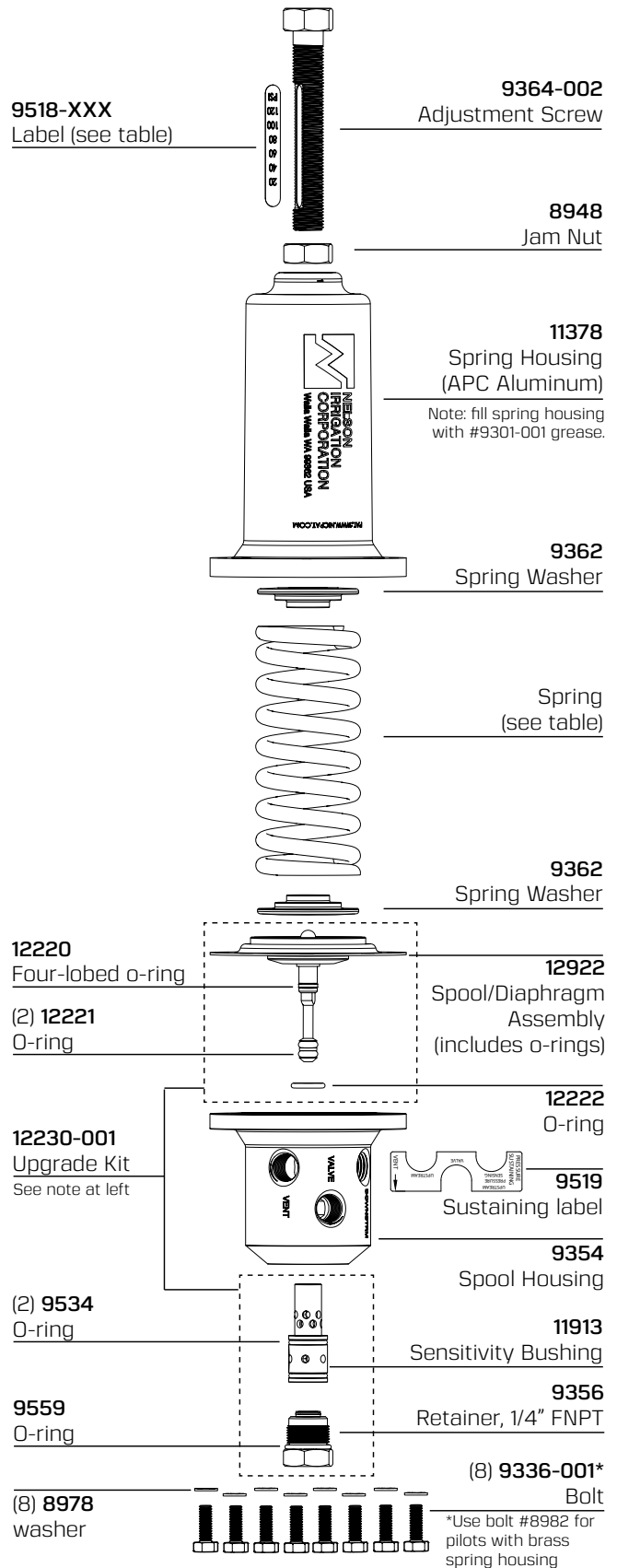
PILOT*	PRESSURE	SPRING	LABEL
9366-001	5-50 psi	9531	9518-010
9366-002	10-120 psi	9359	9518-020
9366-003	25-200 psi	9359, 9532	9518-030

*Pressure reducing and pressure sustaining pilots are identical except a sustaining pilot requires a spool housing label (#9519, order separately) to indicate the ports.

NOTE: an **upgrade kit** is required to rebuild pilots that were manufactured before 1/1/2014. **Service kits** are available for pilots manufactured or upgraded after 1/1/2014, and include the parts listed in the table below.

12230-004 SERVICE KIT

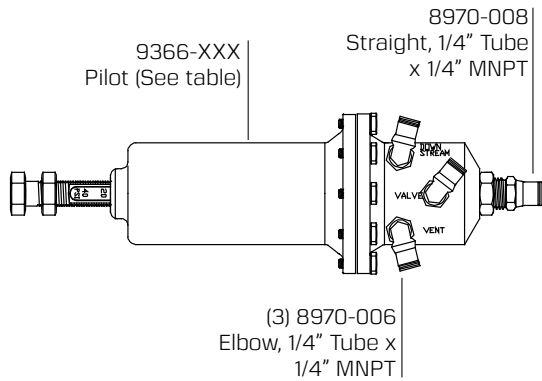
PART NUMBER	QTY	DESCRIPTION
12220	1	Four-lobed o-ring
12221	2	o-ring
11913	1	Sensitivity bushing
9534	2	o-ring



LARGE PILOT PRESSURE REDUCING KITS FOR 4", 6", 8" VALVES

PRESSURE REDUCING (1/4" TUBING)

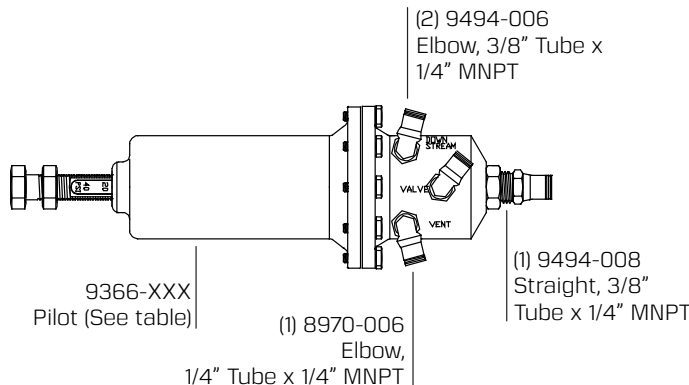
Model #	Pressure	Kit	Pilot
D2	5-50 psi	9529-001	9366-001
D3	10-120 psi	9529-002	9366-002
D4	25-200 psi	9529-003	9366-003



- (2) 8722 1/4-20 Hex Head Bolt
- (2) 6867 1/4" Lock Washer
- (2.5') 8970-005 Tubing, 1/4"
- (1) 12818 Restrictor
- (1) 8970-002 Elbow, 1/4" Tube x 1/8" MNPT
- (1) 8970-007 Tee, 1/4" Tube x 1/4" MNPT
- (1) 8970-008 Straight, 1/4" Tube x 1/4" MNPT
- (1) 8970-009 Male Run Tee 1/4" Tube x 1/4" MNPT

PRESSURE REDUCING (3/8" TUBING)

Model #	Pressure	Kit	Pilot
D2	5-50 psi	9529-011	9366-001
D3	10-120 psi	9529-012	9366-002
D4	25-200 psi	9529-013	9366-003

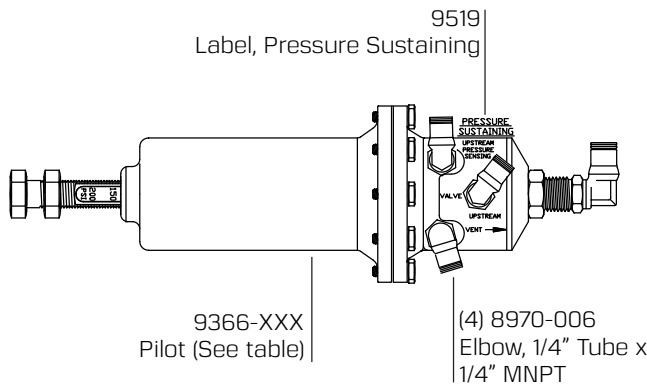


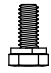

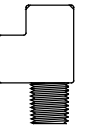
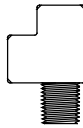
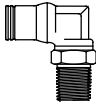
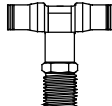

- (1) 8970-005 Tubing, 1/4"
- 12818 Restrictor
- (2) 6867 1/4" Lock Washer
- (2) 8722 1/4-20 Hex Head Bolt
- (2.5') 9494-005 Tubing, 3/8"
- (2) 8971-005 Adapter, 1/4" FNPT X 1/8" MNPT
- (1) 9494-006 Elbow, 3/8" Tube x 1/4" MNPT
- (1) 9494-007 Tee, 3/8" Tube x 1/4" MNPT
- (1) 9494-008 Straight, 3/8" Tube x 1/4" MNPT
- (1) 9494-009 Male Run Tee, 3/8" Tube x 1/4" MNPT

LARGE PILOT PRESSURE SUSTAINING KITS FOR 4", 6", 8" VALVES

PRESSURE SUSTAINING (1/4" TUBING)

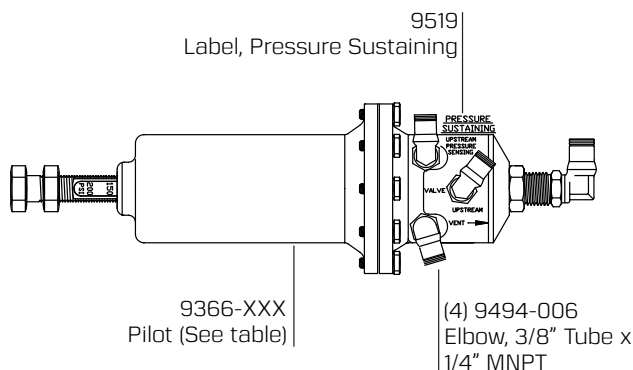
Model #	Pressure	Kit	Pilot
D5	25-200 psi	9535-003	9366-003
D8	10-120 psi	9535-002	9366-002
D9	5-50 psi	9535-001	9366-001

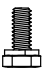

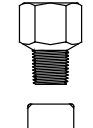
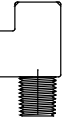
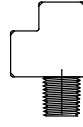
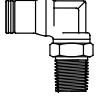
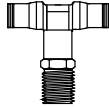



-  (2) 8722 1/4-20 Hex Head Bolt
-  (2) 6867 1/4" Lock Washer
-  (2.5') 8970-005
Tubing, 1/4"
-  (1) 8971
1/4" Street Tee
-  (1) 8970-002
Elbow, 1/4" Tube x 1/8" MNPT
-  (2) 8970-007
Tee, 1/4" Tube x 1/4" MNPT
-  (1) 8970-008
Straight, 1/4" Tube x 1/4" MNPT

PRESSURE SUSTAINING (3/8" TUBING)

Model #	Pressure	Kit	Pilot
D5	25-200 psi	9535-013	9366-003
D8	10-120 psi	9535-012	9366-002
D9	5-50 psi	9535-011	9366-001

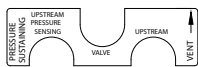


-  (2) 6867 1/4" Lock Washer
-  (2) 8722 1/4-20 Hex Head Bolt
-  (2.5') 9494-005
Tubing, 3/8"
-  (2) 8971-005
Adapter, 1/4"
FNPT X 1/8" MNPT
-  (1) 8971
1/4" Street Tee
-  (1) 9494-006
Elbow, 3/8" Tube x 1/4" MNPT
-  (2) 9494-007
Tee, 3/8" Tube x 1/4" MNPT
-  (1) 9494-008
Straight, 3/8" Tube x 1/4" MNPT

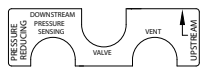
SMALL BODY BRASS PILOT PARTS

PILOT*	PRESSURE	SPRING	LABEL
9689-003	5-30 psi	8044-035	9518-190
9689-001	5-60 psi	9607	9518-070
9689-002	10-120 psi	9607, 9606	9518-080

*Pressure reducing and pressure sustaining pilots are identical, with the exception of a label on the spool housing which indicates the ports for plumbing (order separately; #9519 pressure sustaining, #9519-002 pressure reducing).



9519 Pressure Sustaining Label

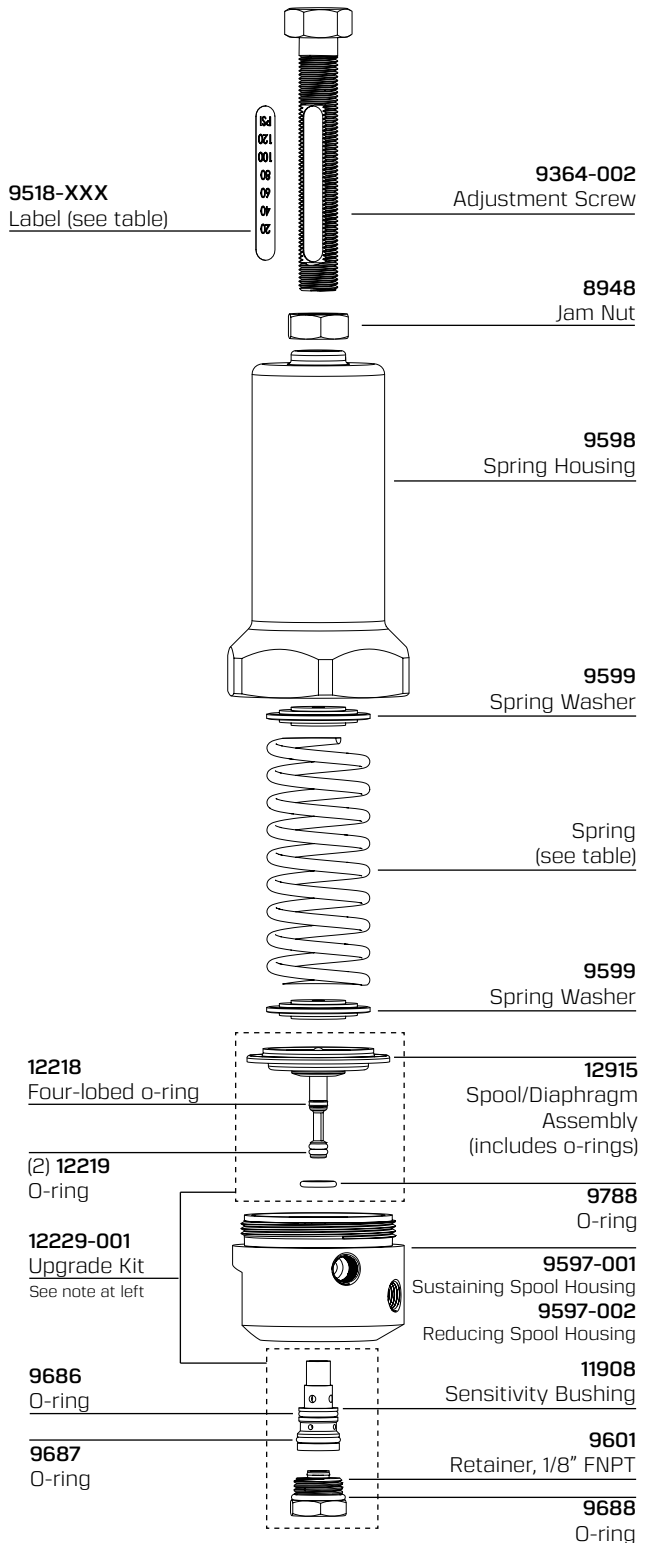


9519-002 Pressure Reducing Label

NOTE: an upgrade kit is required to rebuild pilots that were manufactured before 1/1/2014. Service kits are available for pilots manufactured or upgraded after 1/1/2014, and include the parts listed in the table below.

12229-004 SERVICE KIT

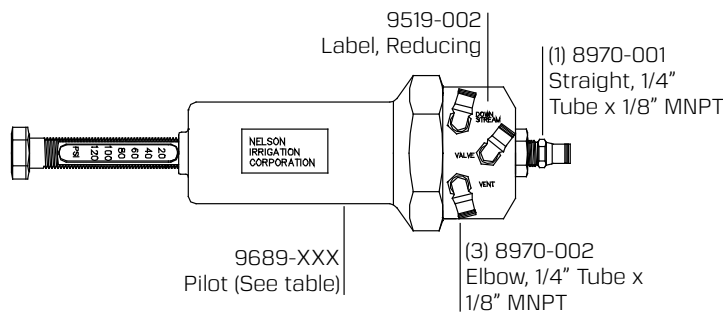
PART NUMBER	QTY	DESCRIPTION
12218	1	Four-lobed o-ring
12219	2	o-ring
11908	1	Sensitivity bushing
9686	1	o-ring
9687	1	o-ring

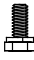



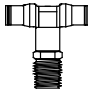

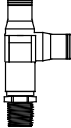


SMALL BRASS PRESSURE CONTROL KITS FOR 2" & 3" VALVES

PRESSURE REDUCING

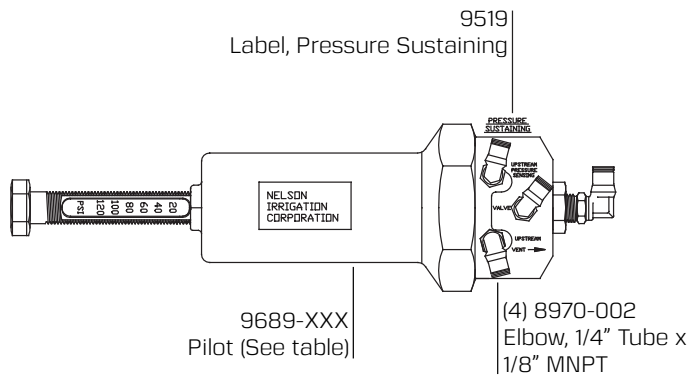
Model #	Pressure	Kit	Pilot
D11	5-30 psi	9691-003	9689-003
D12	5-60 psi	9691-001	9689-001
D13	10-120 psi	9691-002	9689-002




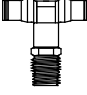

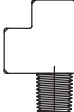


-  (2) 8722 1/4-20 Hex Head Bolt
-  (2) 6867 1/4" Lock Washer
-  (2.5') 8970-005 1/4" Tubing
-  (1) 12818 Restrictor
-  (1) 8970-004 Tee, 1/4" Tube x 1/8" MNPT
-  (1) 8970-008 Straight, 1/4" Tube x 1/4" MNPT
-  (1) 8970-010 Male Run Tee, 1/4" Tube x 1/8" MNPT

PRESSURE SUSTAINING

Model #	Pressure	Kit	Pilot
D15	5-60 psi	9693-001	9689-001
D16	10-120 psi	9693-002	9689-002




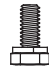

-  (2) 8722 1/4-20 Hex Head Bolt
-  (2) 6867 1/4" Lock Washer
-  (2.5') 8970-005 1/4" Tubing
-  (2) 8970-004 Tee, 1/4" Tube x 1/8" MNPT
-  (1) 8970-008 Straight, 1/4" Tube x 1/4" MNPT
-  (1) 8971 1/4" Street Tee

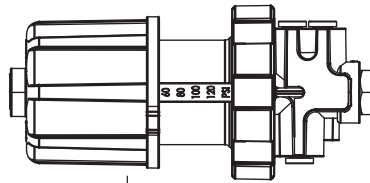
SMALL PLASTIC PRESSURE CONTROL KITS FOR 2" & 3" VALVES

PRESSURE REDUCING


Valve	Pressure	Kit	Pilot
2"	5-60 psi	12340-022	12342-007
	10-120 psi	12340-023	12342-008
	5-30 psi	12340-024	12342-009
3"	5-60 psi	12340-019	12342-001
	10-120 psi	12340-020	12342-002
	5-30 psi	12340-021	12342-003


 (2) 6060 Nut


 (2) 6818 Screw
 (2) 8904 Washer




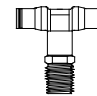
12342-XXX
Pilot (see table)


 (2) 10104
1/4" Schrader Valve

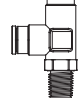
 (1) 12818
Restrictor

 (2.5") 8970-005
1/4" Tubing

 (1) 8970-001
Straight, 1/4" Tube x 1/8" MNPT

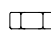
 (1) 8970-004
Tee, 1/4" Tube x 1/8" MNPT

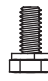

 (1) 8970-008
Straight, 1/4" Tube x 1/4" MNPT

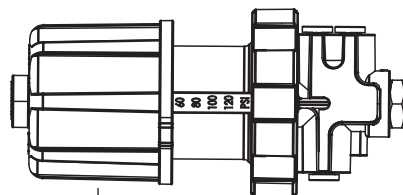
 (1) 8970-010
Male run tee, 1/4" Tube x 1/8" MNPT

PRESSURE SUSTAINING


Valve	Pressure	Kit	Pilot
2"	5-60 psi	12340-016	12342-010
	10-120 psi	12340-017	12342-011
	5-30 psi	12340-018	12342-012
3"	5-60 psi	12340-013	12342-004
	10-120 psi	12340-014	12342-005
	5-30 psi	12340-015	12342-006


 (2) 6060 Nut

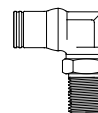
 (2) 6818 Screw
 (2) 8904 Washer

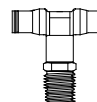



12342-XXX
Pilot (see table)

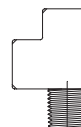
 (2) 10104
1/4" Schrader Valve

 (2.5") 8970-005
1/4" Tubing

 (1) 8970-002
Elbow, 1/4" Tube x 1/8" MNPT

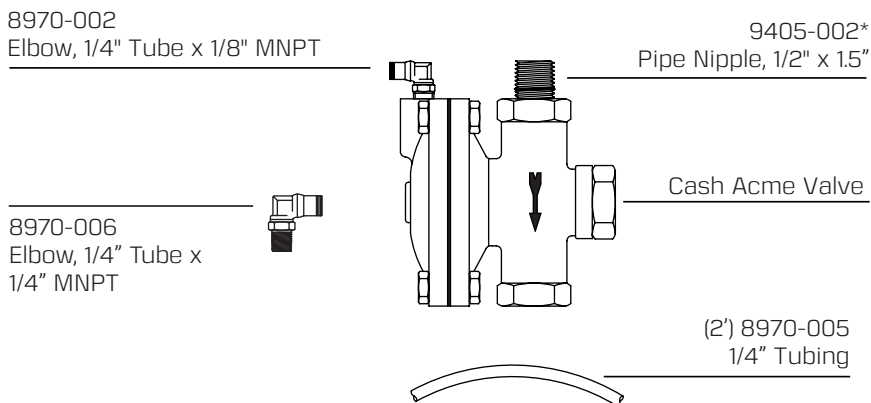
 (2) 8970-004
Tee, 1/4" Tube x 1/8" MNPT

 (1) 8970-008
Straight, 1/4" Tube x 1/4" MNPT

 (1) 8971
1/4" Street Tee

SLEEVE EXHAUST

MODEL #	CONTROL	PRESSURE	KIT
D06	Sleeve Exhaust	30 psi	9047-002
D06-1	Sleeve Exhaust	10 psi	9047-004

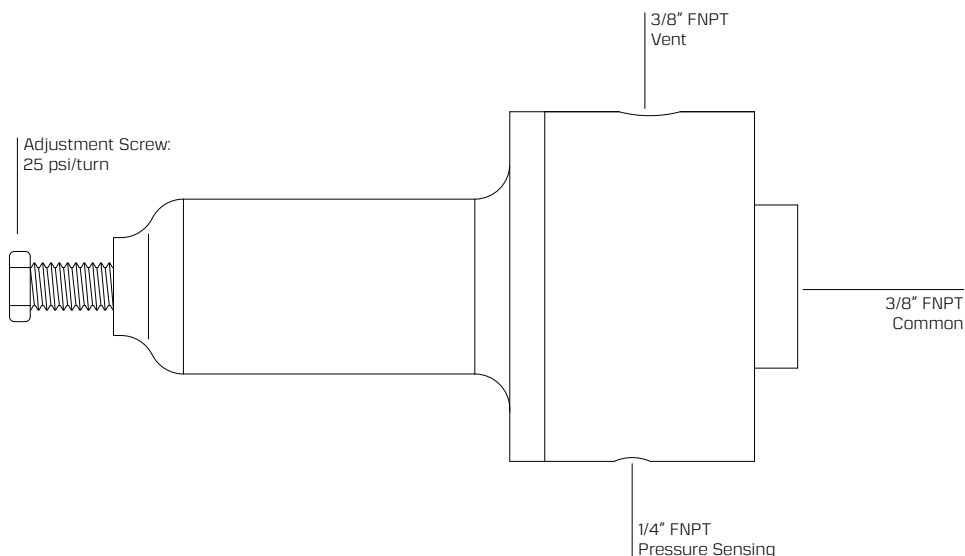


*Works with 6" and 8" valves only.
 For 4" Valves: use 8971-002 1/2" MNPT X 3/8" MPNT (order separately)
 For 2" and 3" Valves: use 8971-003 1/2" MNPT x 1/4" MNPT (order separately)

2-WAY RELIEF

USED WITH S38 AND S50 SURGE ANTICIPATOR VALVES ONLY

MODEL #	CONTROL	PRESSURE	PILOT
D19	2-Way Relief (Surge Anticipator)	20-200 psi	9763



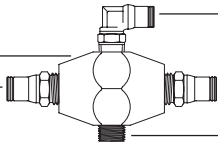
SHUTTLE CHECK

MODEL #	CONTROL	4", 6", & 8" VALVES		2" & 3" VALVES
		KIT 1/4" TUBING	KIT 3/8" TUBING	KIT
D07	Shuttle Check	9368	9368-001	9368-002

#9368 (1/4" TUBING)

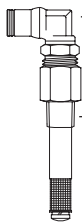
9818 Shuttle Check Assembly

(2) 8970-008 Straight, 1/4" Tube x 1/4" MNPT



8970-002 Elbow, 1/4" Tube x 1/8" MNPT

9639-030 Nipple, 1/8" MNPT



8970-006 Elbow, 1/4" Tube x 1/4" MNPT

9804-002 Internal Filter (4, 6, & 8" Valves)

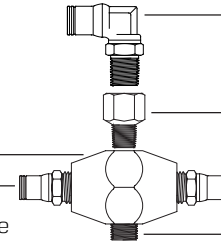


(1.5') 8970-005 Tubing, 1/4"

#9368-001 (3/8" TUBING)

9818 Shuttle Check Assembly

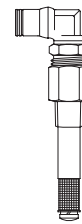
(2) 9494-008 Straight, 3/8" Tube x 1/4" MNPT



9494-006 Elbow, 3/8" Tube x 1/4" MNPT

8971-005 Adapter, 1/4" FNPT x 1/8" MNPT

9639-030 Nipple, 1/8" MNPT



9494-006 Elbow, 3/8" Tube x 1/4" MNPT

9804-002 Internal Filter (4, 6, & 8" Valves)

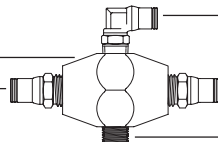


(1.5') 9494-005 Tubing, 3/8"

#9368-002

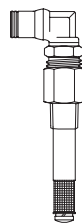
9818 Shuttle Check Assembly

(2) 8970-008 Straight, 1/4" Tube x 1/4" MNPT



8970-002 Elbow, 1/4" Tube x 1/8" MNPT

9639-030 Nipple, 1/8" MNPT



8970-006 Elbow, 1/4" Tube x 1/4" MNPT

9804-001 Internal Filter (2", 3" Valves)



(1.5') 8970-005 Tubing, 1/4"