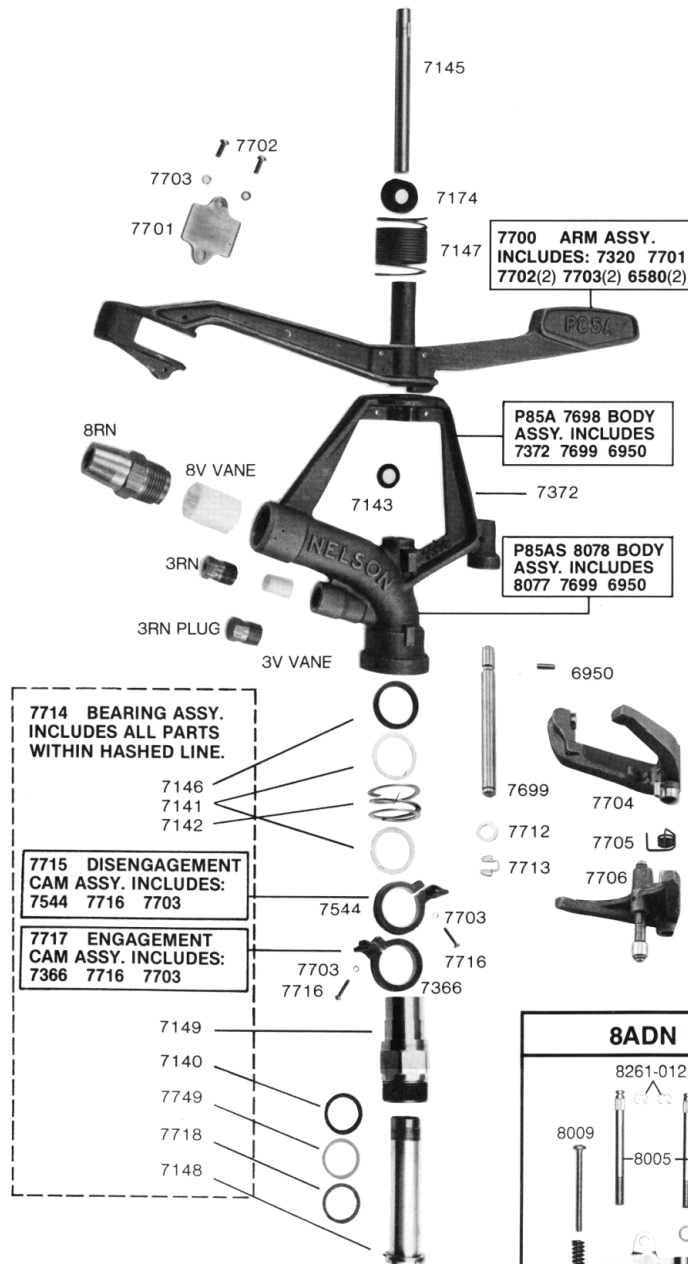


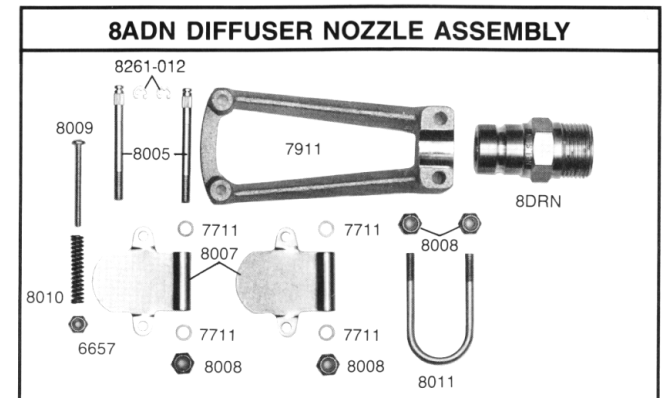
NELSON PART CIRCLE IMPACT SPRINKLER P85A

IS-PL-2

Nelson Impact Sprinkler Parts List



PART NO.	QTY. REQ.	DESCRIPTION
6657	1	LOCKNUT (#6-32)
6950	1	SPIROL PIN
7140	1	UPPER SEAL WASHER
7141	2	BRASS WASHER
7142	1	BEARING SPRING
7143	1	SPACER WASHER
7145	1	FULCRUM PIN
7146	1	TOP BEARING WASHER
7147	1	ARM SPRING
7148	1	NIPPLE BEARING
7149	1	SLEEVE BEARING
7174	1	ARM HOOD
7366	1	ENGAGEMENT CAM
7372	1	BODY P85A
7544	1	DISENGAGEMENT CAM
7698	1	BODY ASSY P85A
7699	1	PIN (REVERSE PIVOT)
7700	1	ARM ASSY.
7701	1	VANE
7702	2	SCREW #6-32 x .38"
7703	4	LOCK WASHER #6
7704	1	UPPER TRIP ASSY.
7705	1	TRIP SPRING
7706	1	LOWER TRIP ASSY.
7711	4	WASHER
7712	1	WASHER
7713	1	RETAINING RING
7714	1	BEARING ASSY.
7715	1	DISENGAGEMENT CAM ASSY
7716	2	SCREW #6-32 x .75"
7717	1	ENGAGEMENT CAM ASSY.
7718	1	LOWER SEAL WASHER
7749	1	LOWER BEARING WASHER
7911	1	FRAME
8005	2	PIN
8007	2	DIFFUSER PLATE
8008	4	LOCKNUT (#10-32)
8009	1	SCREW (#6-32 x 1.5)
8010	1	SPRING
8011	1	U-BOLT
8077	1	BODY P85AS
8078	1	BODY ASSY. P85AS
8261-012	2	RETAINING RINGS



NELSON IRRIGATION CORPORATION
848 Airport Rd. Walla Walla, WA 99362
Tel: 509.525.7660 Fax: 509.525.7907
E-mail: info@nelsonirrigation.com
Web: www.nelsonirrigation.com