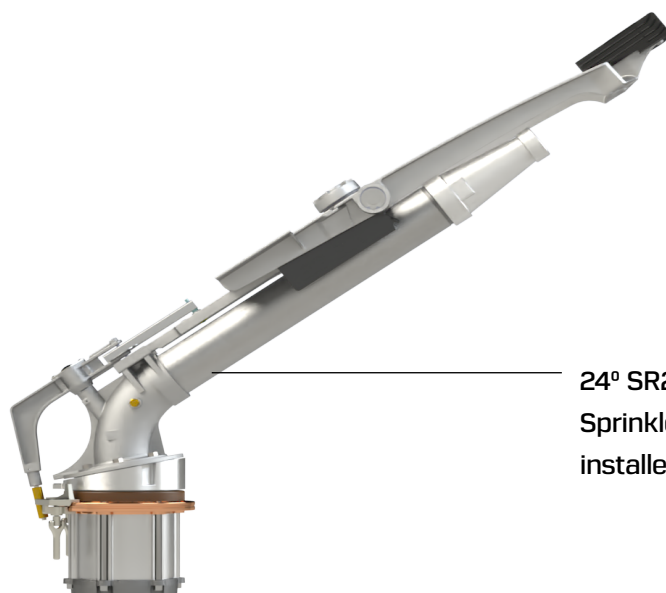
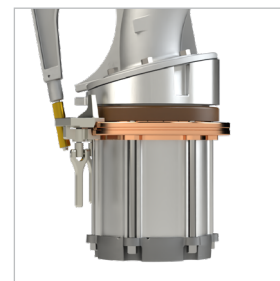
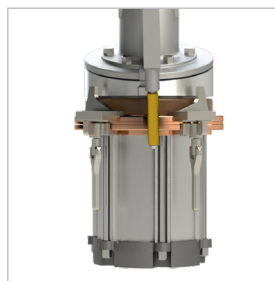


12° WEDGE KIT, #11138

The 12° wedge kit increases the trajectory angle and stream height of a standard 21°, 24°, or 27° SR200 Big Gun® sprinkler.



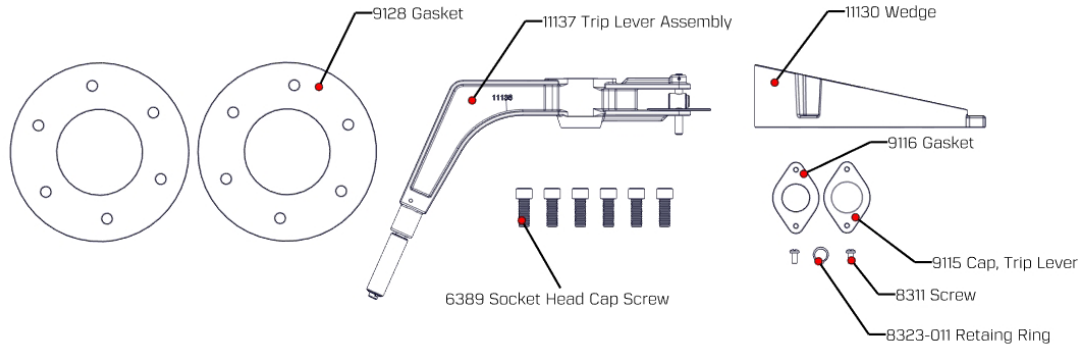
24° SR200 BIG GUN®
Sprinkler with 12° Wedge Kit
installed (36° trajectory)



WEDGE KIT FEATURES:

- Increases trajectory of standard 21°, 24°, or 27° SR200 sprinkler by 12°, to achieve 33°, 36°, or 39° trajectory, respectively.
- Raises stream height by up to 50 ft (15 m)
- Ideal for dust suppression and industrial applications
- Not compatible with full-circle F200 models.
- Other wedge kits available for 75, 100, and 150 Series Big Gun® sprinklers.

KIT #11138 FOR SR200



INSTALLATION INSTRUCTIONS

1. Remove the Tube and Elbow Assembly from the Lower Bearing Assembly by removing the six bolts.
2. Replace the #9128 gasket on elbow if necessary. Adhere new gasket to the face of the elbow.
3. Adhere the other #9128 gasket to the bottom of the wedge.
4. Attach the #11130 wedge to the lower bearing assembly using the six #6389 socket head cap screws. Torque to 22 ft-lbs.
5. Attach the Tube and Elbow Assembly to the wedge using six existing bolts. Torque to 22 ft-lbs.
6. Remove the existing trip lever assembly. Install the new #11137 Trip Lever Assembly to the Tube and Elbow Assembly using the #8311 screws, #8323-011 retaining ring, #9115 cap, and #9116 gasket.

