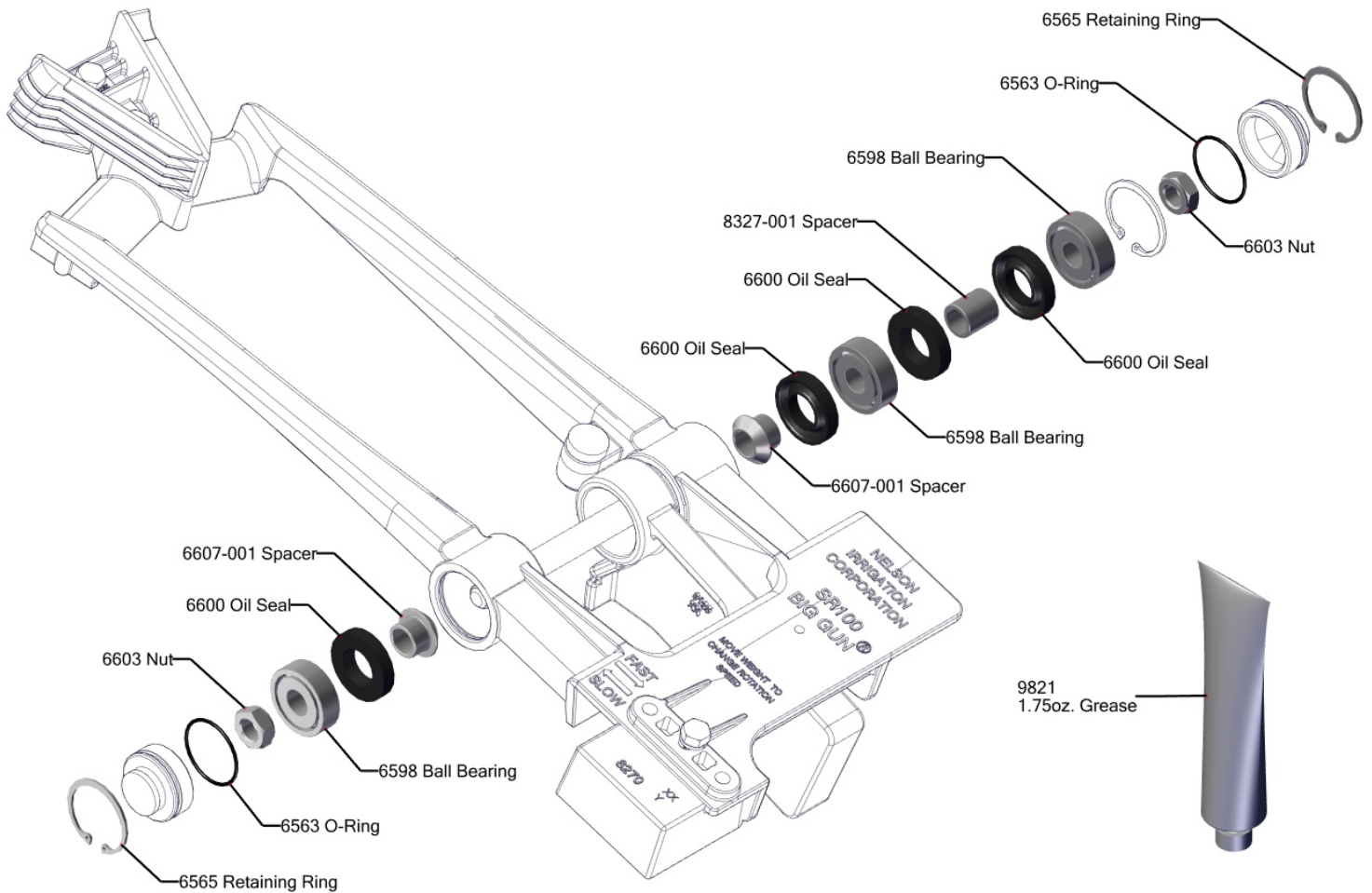


ORIGINAL BIG GUN

SR100/SR150 DRIVE ARM SERVICE KIT

#9822



Item Number	Description	Qty
9822	SERVICE KIT, DRIVE ARM & COUNTERWEIGHT - SR100/SR150	
6563	O-RING, -.024	2
6565	RING, RETAINING, -.125 BASIC INTERNAL, SS	2
6598	BEARING, BALL, 12 x 32 x 10 mm, OPEN	3
6600	SEAL, RADIAL LIP, 1.260" X .625" X .250"	4
6603	NUT, .4375-20 HEX SPCL - F100/SR100/SR150	2
6607-001	SPACER, CONE, TEFLON COATED	2
8327-001	SPACER, DRIVE ARM TO CWT - SR100/SR150	1
9821	GREASE, LUBRIPLATE 130-AA, 1.75 OZ TUBE	1

