



# 800 Series Valves

## Flange Adapter Kit

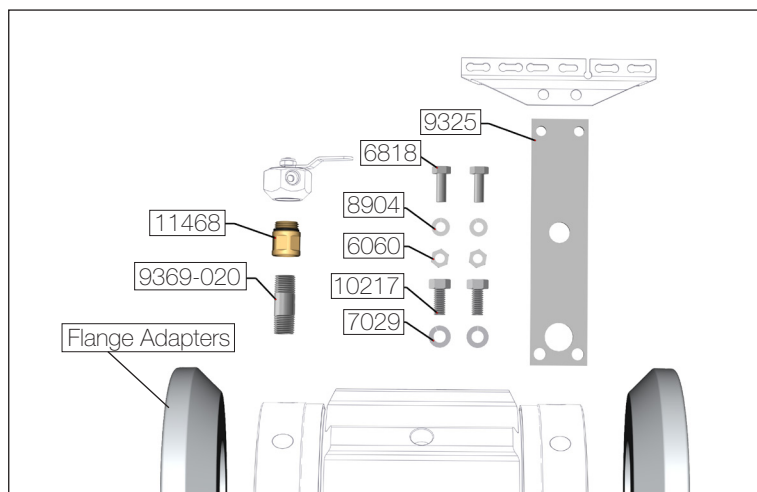
### Nelson Flange Adapter Kit

Part #	Adapter Kit	Included Stud Kit
11433	4" Valve x	—
11433-001	6" ANSI Flange	6" Stud Kit (#8976)
12225	6" Valve x	—
12225-001	8" ANSI Flange	8" Stud Kit (#9524)

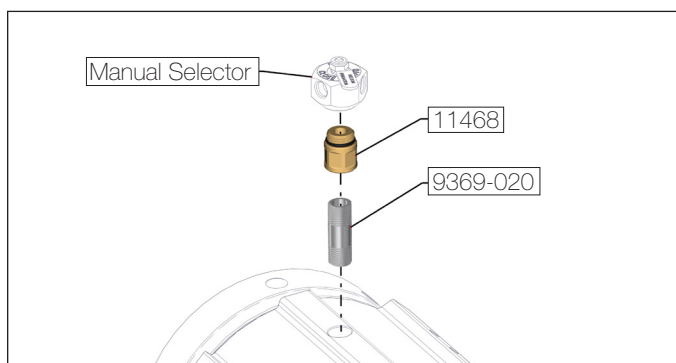
*Valves with flange adapters require extension kits for the manual selector and the solenoid/pilot mounting bracket to prevent interference with the studs.*

### Extension Hardware Included with Adapter Kits

Part #	Description	Qty
11468	Female Adapter	1
9369-020	Pipe Nipple, 1/4"	1
9325	Extension Bracket	1
6818	Screw, 1/4"	2
8904	Washer, 1/4"	2
6060	Nut, 1/4"	2
10217	Screw 5/16"	2
7029	Washer, 5/16"	2

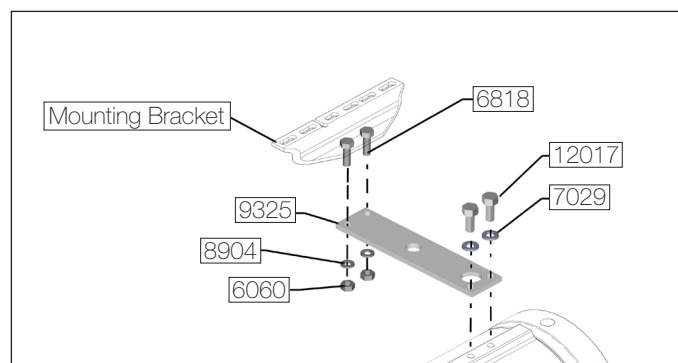


## Extension Kit Installation Instructions



### Install Manual Selector Extension

- Un-screw the manual selector from the valve.
- Replace the 1/4" male adapter on the bottom of the selector with the Female Adapter (11468).
- Thread the 1/4" Nipple (9369-020) into the female adapter (11468).
- Thread the completed assembly into the valve.



### Install Extension Mounting Bracket

- Remove the existing mounting bracket from the valve.
- Mount the extension bracket (9325) to the valve.  
Note: The extension bracket can be bent to fit the desired angle of installation. This can be done by hand with it mounted on the valve, or by placing the extension bracket in a vise before mounting.
- Attach the mounting bracket to the extension bracket.