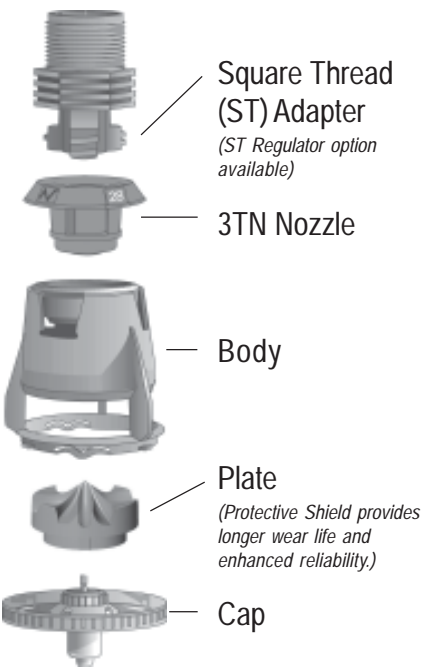
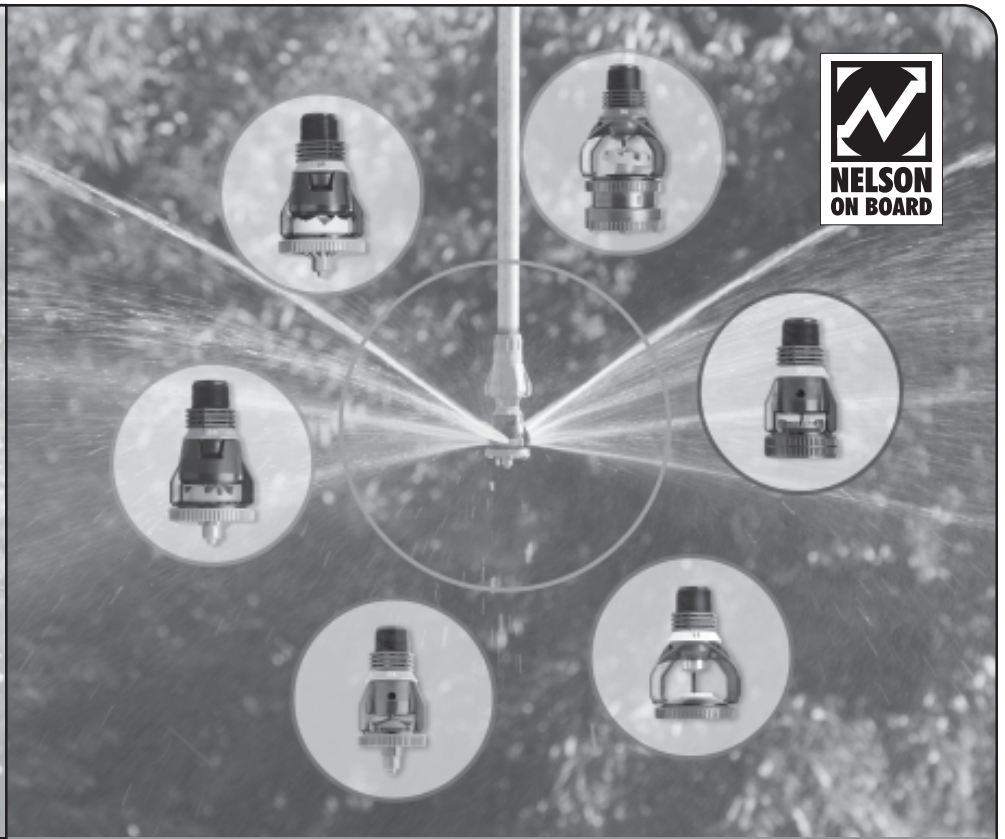




3000 SERIES PIVOT PRODUCTS

ASSEMBLY INSTRUCTIONS



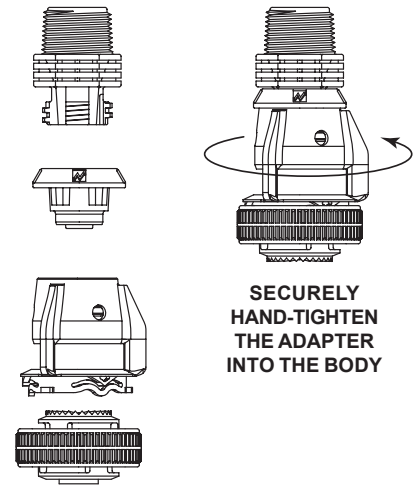
ADVANCED DESIGN. The plates of the 3000 Series Pivot Products are specifically engineered for high performance.

- Speed Control
- Uniformity built-in
- Droplet control solutions:
Gentle — for sensitive crops and soils
Windfighting — for maximum irrigation efficiency

1. NOZZLE/BODY ASSEMBLY

Nozzle and Body to Adapter. For all 3000 Series Sprinklers — The Nozzle is sandwiched between the Adapter and the Body assembly as shown. It is important that the Adapter is securely hand tightened into the body.

Note: If the product is used in an “in the crop canopy” application check the tightness of the Body and Adapter connection once a year.

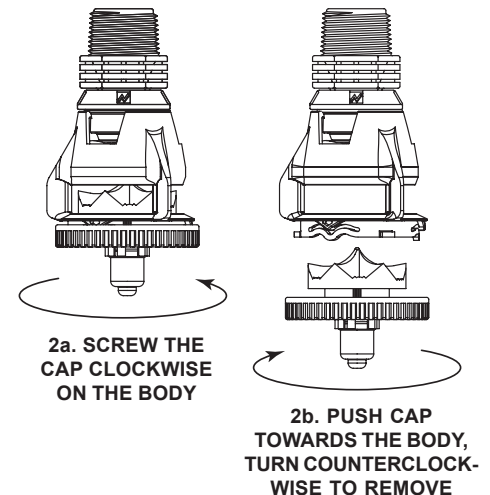


2a. CAP ASSEMBLY

Cap to Body. For all 3000 Series Sprinklers — Turn the Cap Assembly (Cap + Plate) on the body clockwise until a “click” is heard.

2b. CAP DISASSEMBLY

Cap from Body. For all 3000 Series Sprinklers — Push the Cap Assembly (Cap + Plate) into the Body to compress the springs on the Body, then turn the Cap counter-clockwise to remove.

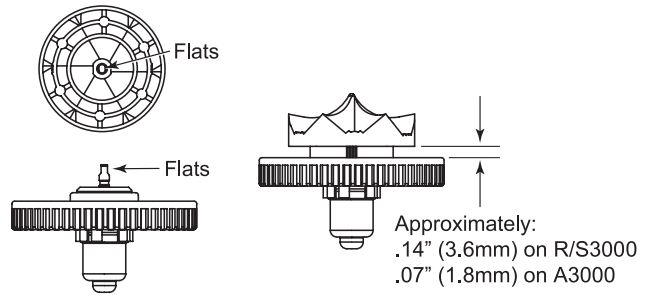


> 3000 series ASSEMBLY INSTRUCTIONS

3. PLATE ASSEMBLY

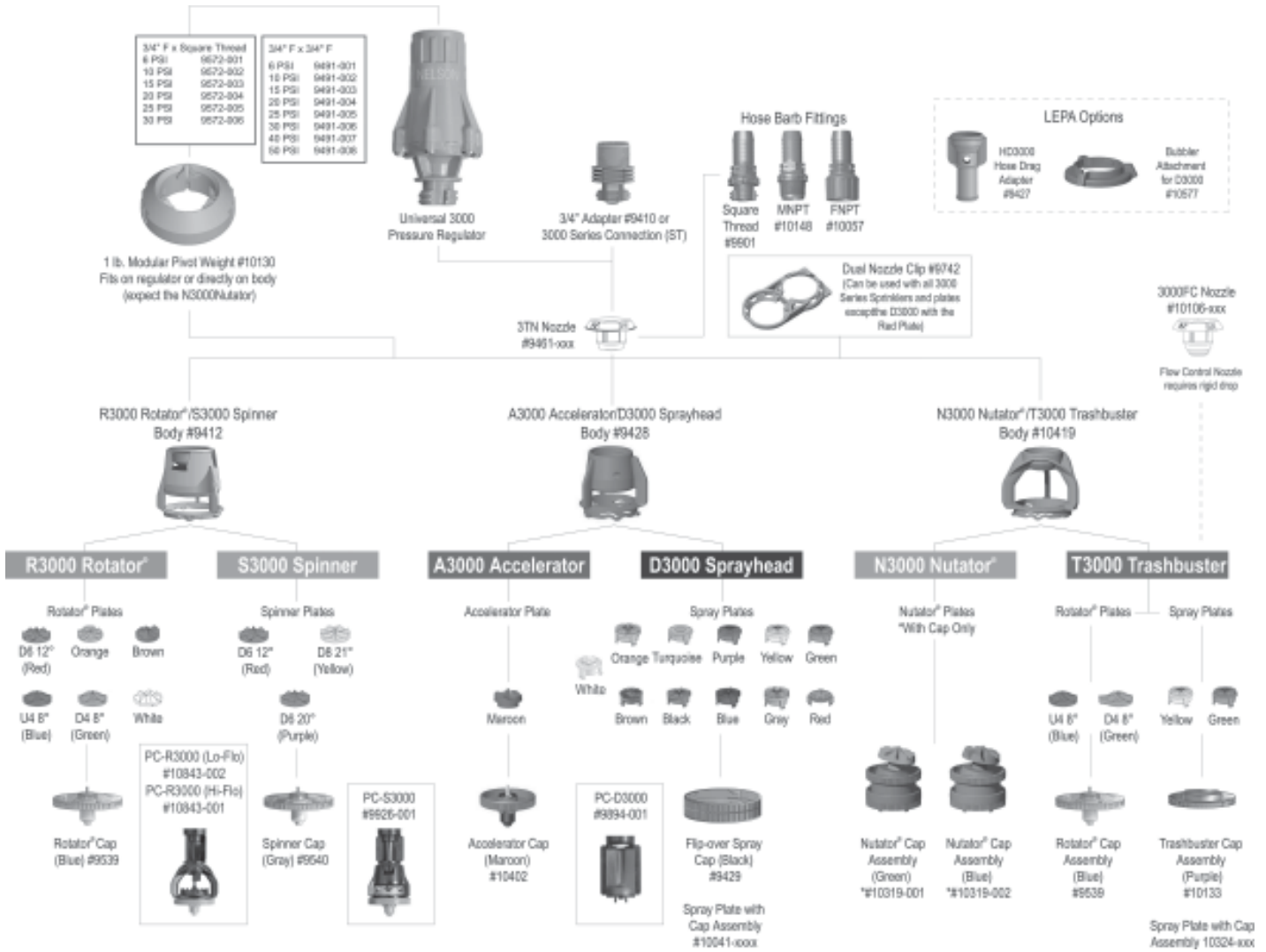
Plate to Cap. For R3000 & S3000 Sprinklers — Align the flats on the shaft with the flats on the bottom of the plate. Once aligned press the plate firmly onto the shaft, making sure that the plate has gone past **two stops** (or two clicks).

For A3000 Sprinkler — Press the plate firmly onto the shaft. Continue to **press past the first stop** (or click).



PRESS PLATE FIRMLY ON SHAFT.

4. PIVOT PRODUCT PARTS BREAK DOWN



WARRANTY AND DISCLAIMER: Nelson Irrigation Products and Accessories are warranted for one year from date of original sale to be free of defective materials and workmanship when used within the working specifications for which the products were designed and under normal use and service. The manufacturer assumes no responsibility for installation, removal or unauthorized repair of defective parts. The manufacturer's liability under this warranty is limited solely to replacement or repair of defective parts and the manufacturer will not be liable for any crop or other consequential damages resulting from defects or breach of warranty. THIS WARRANTY IS EXPRESSLY IN LIEU OF ALL OTHER WARRANTIES, EXPRESS OR IMPLIED, INCLUDING THE WARRANTIES OF MERCHANTABILITY AND FITNESS FOR PARTICULAR PURPOSES AND OF ALL OTHER OBLIGATIONS OR LIABILITIES OF MANUFACTURER. No agent, employee or representative of the manufacturer has authority to waive, alter or add to the provisions of this warranty, nor to make any representations or warranty not contained herein.

These products may be covered by one or more of the following U.S. Patent Nos. 3744720, 3559887, 4796811, 4809910, RE33823, DES312865, 5415348, 5409168, 5439174, 5588595, 5671774, 6688539 and other U.S. Patents pending or corresponding issued or pending foreign patents.

NELSON
 Nelson Irrigation Corporation
 848 Airport Rd., Walla Walla, WA 99362 USA
 Tel: 509.525.7660 Fax: 509.525.7907 info@nelsonirrigation.com
 Nelson Irrigation Corporation of Australia Pty. Ltd.
 35 Sudbury Street, Darra QLD 4074 info@nelsonirrigation.com.au
 Tel: +61 7 3715 8555 Fax: +61 7 3715 8666