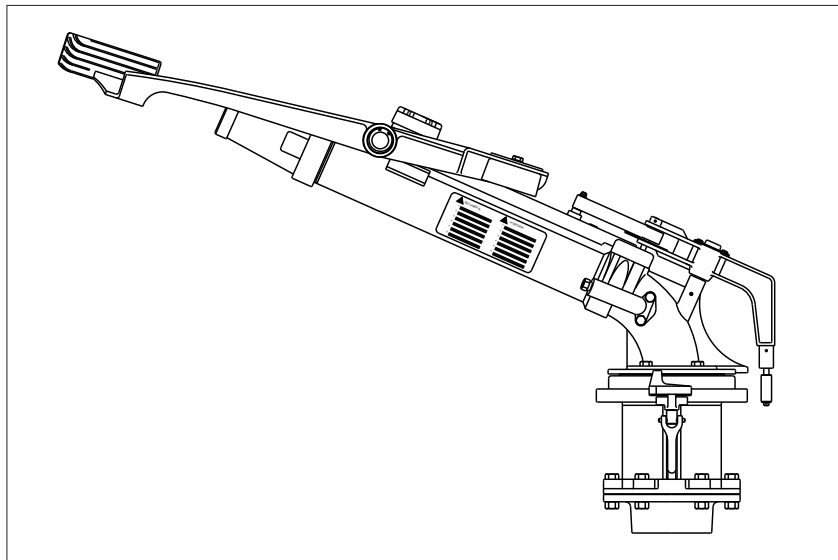


innovation in irrigation™



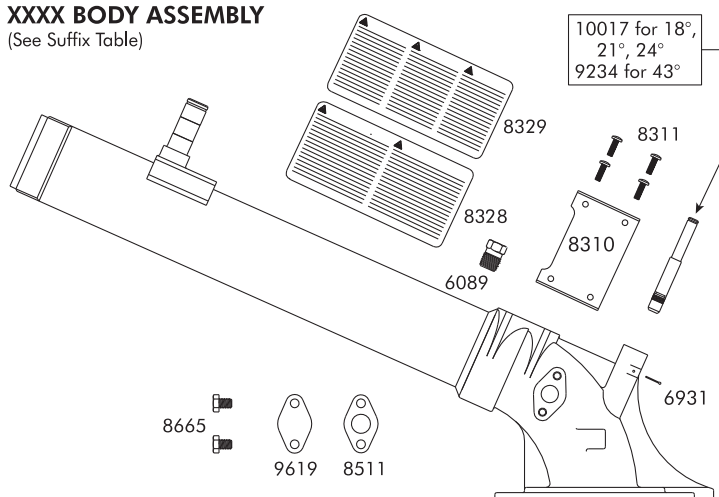
# SR100 BIG GUN®

## SR100 BIG GUN® PARTS LIST



### XXXX BODY ASSEMBLY

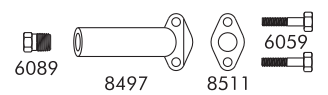
(See Suffix Table)



10017 for 18°,  
21°, 24°  
9234 for 43°

| XXXX part number | BODY ASSEMBLY, SR100 description           | qty. |
|------------------|--|------|
| 6089             | 3RN Plug                                   | 1    |
| 6580             | Insert, Rest Pad                           | 1    |
| 6931             | Pin, Coiled Spring, .125" x .75"           | 1    |
| 8310             | Stop, Shifter — SR100                      | 1    |
| 8311             | Screw, #8-32 x .375" Self Tapping Pan Hd.  | 4    |
| 8328             | Label, Warning — English, Spanish, Chinese | 1    |
| 8329             | Label, Warning — German, French, Swedish   | 1    |
| 8511             | Gasket, Sec. Elbow Port                    | 1    |
| 8665             | Screw, 1/4-20 x .375" Hex Hd. Cap          | 2    |
| 9234             | Shaft, Trip Lever — SR100 43°              | 1    |
| 9619             | Cover Plate, Sec. Elbow Port               | 1    |
| 10017            | Shaft, Trip Lever — SR100 18°, 21°, 24°    | 1    |

### Optional Secondary Nozzle Components



### Body Assy Suffix Table

|          |                |
|----------|----------------|
| 8312-018 | Body Assy, 18° |
| 8312-021 | Body Assy, 21° |
| 8312-024 | Body Assy, 24° |
| 9233     | Body Assy, 43° |

### OPTIONAL SECONDARY NOZZLE COMPONENTS\*

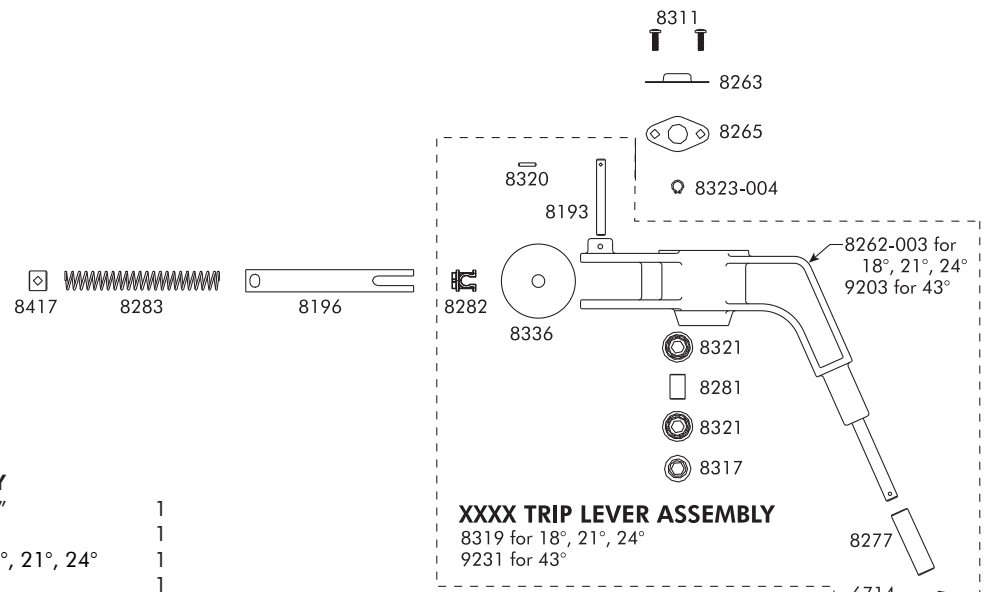
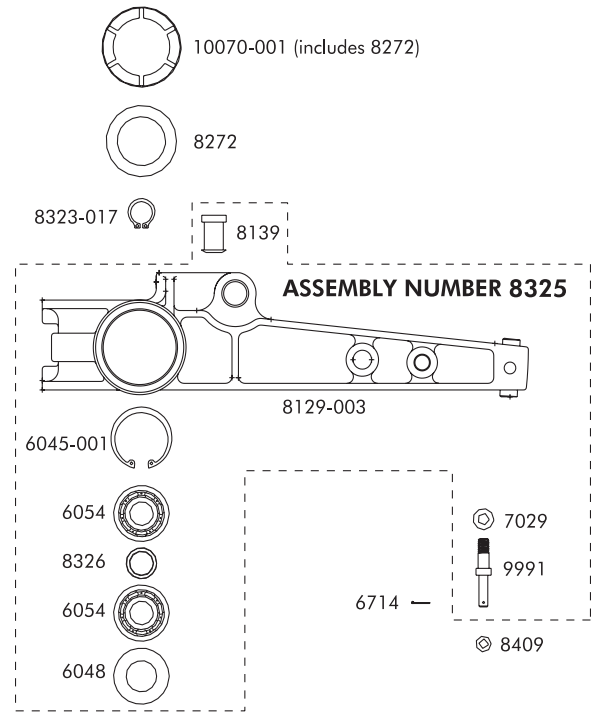
|      |                                  |   |
|------|----------------------------------|---|
| 6059 | Screw, .25-20 x 1.25" Hex Hd Cap | 2 |
| 6089 | 3RN Plug                         | 1 |
| 8497 | Elbow, Secondary Nozzle          | 1 |
| 8511 | Gasket                           | 1 |

\*Not available on 18° model.

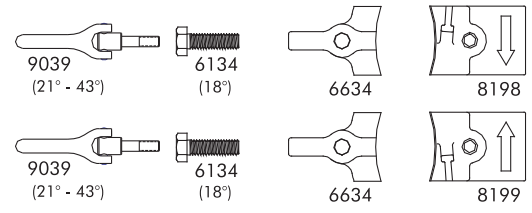
### WARRANTY AND DISCLAIMER

Nelson Big Gun sprinklers are warranted for one year from date of original sale to be free of defective materials and workmanship when used within the working specifications for which the product was designed and under normal use and service. The manufacturer assumes no responsibility for installation, is limited solely to replacement or repair of defective parts, and the manufacturer will not be liable for any crop or other consequential damages resulting from any defects or breach of warranty. THIS WARRANTY IS EXPRESSLY IN LIEU OF ALL OTHER WARRANTIES, EXPRESS OR IMPLIED, INCLUDING THE WARRANTIES OF MERCHANTABILITY AND FITNESS FOR PARTICULAR PURPOSES AND OF ALL OTHER OBLIGATIONS OR LIABILITIES OF MANUFACTURER. No agent, employee or representative of the manufacturer has authority to waive, alter or add to the provision of the warranty, nor to make any representations or warranty not contained herein.

| 8325        | SHIFT LEVER ASSEMBLY                        |      |
|-------------|---|------|
| part number | description                                 | qty. |
| 6045-001    | Ring, Retaining, -156 Basic Internal Coated | 1    |
| 6048        | Seal, Oil                                   | 1    |
| 6054        | Bearing, Ball, 17 x 40 x 12mm               | 2    |
| 7029        | Washer, .312" Spring Lock                   | 1    |
| 8129-003    | Lever, Shift — SR100                        | 1    |
| 8139        | Bumper                                      | 1    |
| 8326        | Spacer, Shift Lever — SR100                 | 1    |
| 9991        | Pin, Shift, Hex Drive — SR100               | 1    |

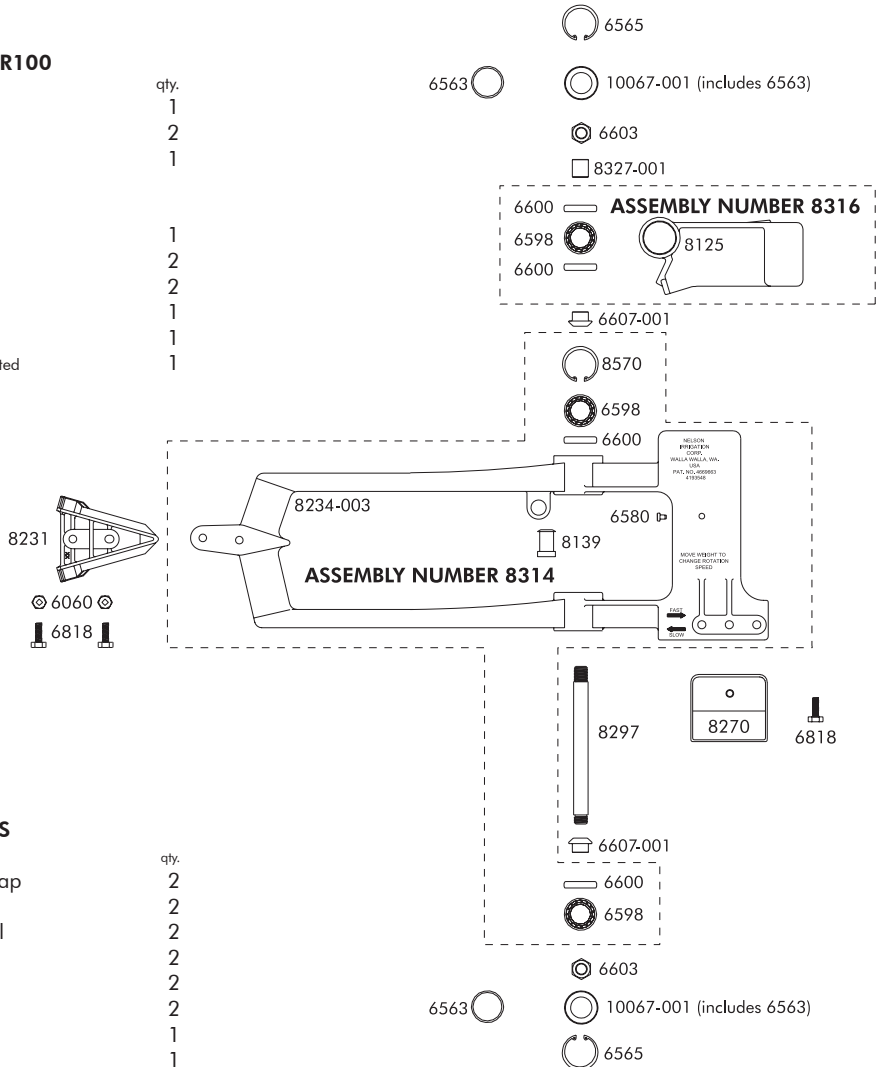


| XXXX        | TRIP LEVER ASSEMBLY                 |      |
|-------------|-------------------------------------|------|
| part number | description                         | qty. |
| 6714        | Pin, Cotter, .062" x .50"           | 1    |
| 8193        | Pin, Stop — SR100                   | 1    |
| 8262-003    | Lever, Trip — SR100 18°, 21°, 24°   | 1    |
| 8277        | Roller, Trip — SR100                | 1    |
| 8281        | Spacer, Trip Lever — SR100          | 1    |
| 8282        | Follower, Trip Spring — SR Big Guns | 1    |
| 8317        | Seal, Oil                           | 1    |
| 8320        | Pin, Coiled Spring, .094" x .50"    | 1    |
| 8321        | Bearing, Ball, 8 x 22 x 7mm         | 2    |
| 8336        | Washer, Spring Guide — SR100        | 1    |
| 8409        | Washer, Trip Roller — SR100         | 1    |
| 9203        | Lever, Trip — SR100 43°             | 1    |



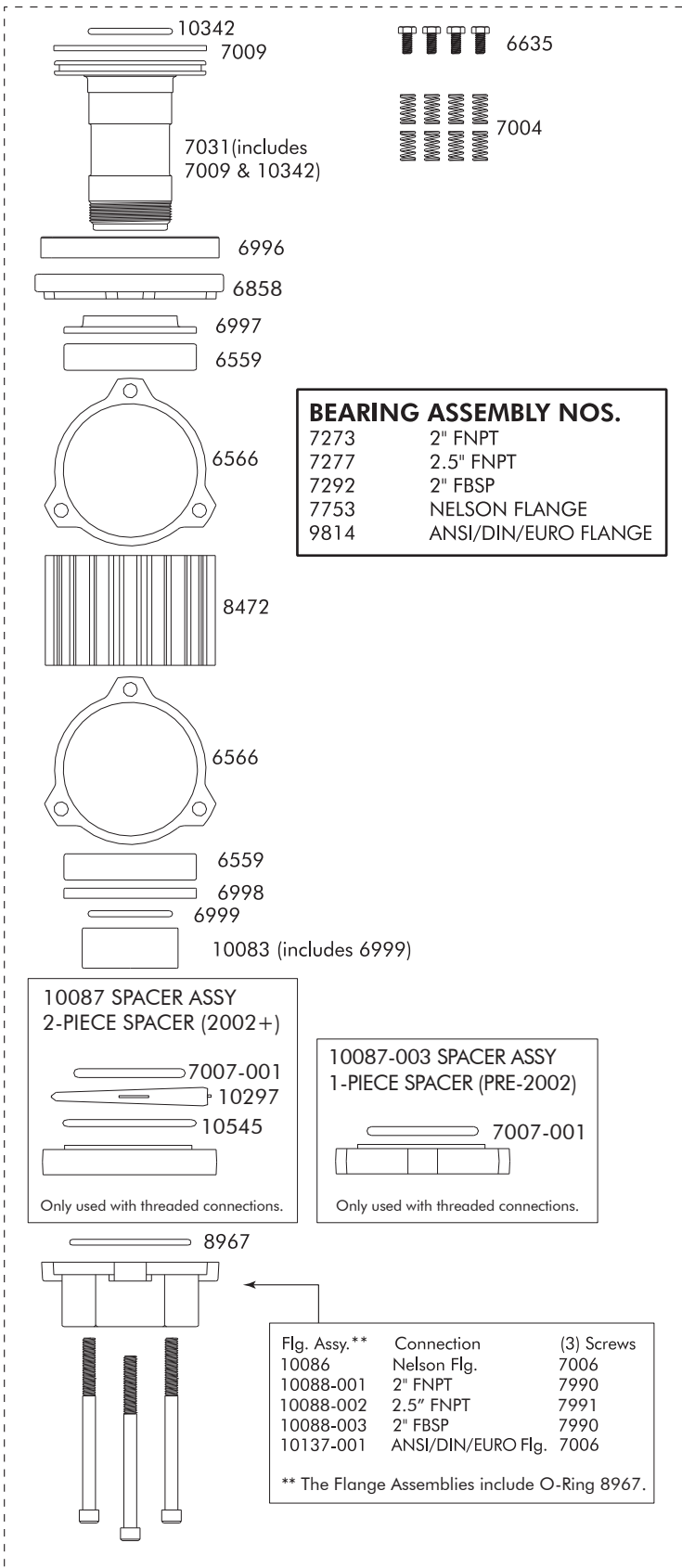
|             |                                      |      |
|-------------|--------------------------------------|------|
| <b>8316</b> | <b>COUNTERWEIGHT ASSEMBLY, SR100</b> |      |
| part number | description                          | qty. |
| 6598        | Bearing, Ball, 12 x 32 x 10mm        | 1    |
| 6600        | Seal, Oil                            | 2    |
| 8125        | Counterweight — SR100                | 1    |

|             |  |      |
|-------------|--|------|
| <b>8314</b> | <b>DRIVE ARM ASSEMBLY, SR100</b>             |      |
| part number | description                                  | qty. |
| 6580        | Insert, Rest Pad                             | 1    |
| 6598        | Bearing, Ball, 12 x 32 x 10mm                | 2    |
| 6600        | Seal, Oil                                    | 2    |
| 8139        | Bumper                                       | 1    |
| 8234-003    | Arm, Drive — SR100                           | 1    |
| 8570        | Ring, Retaining, -125 Basic Internal, Coated | 1    |



**FINAL ASSEMBLY COMPONENTS**

|             |   |      |
|-------------|---|------|
| part number | description                                 | qty. |
| 6134        | Screw, .312-18 x 1.00", Hex Hd Cap          | 2    |
| 6563        | O-Ring, -024                                | 2    |
| 6565        | Ring, Retaining, -125 Basic Internal        | 2    |
| 6603        | Nut, .438-20 Special                        | 2    |
| 6607-001    | Spacer, Cone, Teflon Coated                 | 2    |
| 6634        | Clamp - SR100                               | 2    |
| 6714        | Pin, Cotter, .062" x .50"                   | 1    |
| 8196        | Guide, Spring — SR100                       | 1    |
| 8198        | Stop, CCW — SR100                           | 1    |
| 8199        | Stop, CW — SR100                            | 1    |
| 8263        | Cap, Trip Lever — SR100                     | 1    |
| 8265        | Gasket, Trip Lever Cap — SR100              | 1    |
| 8272        | Gasket, Shift Lever Cap — SR100             | 1    |
| 8283        | Spring, Trip — SR100                        | 1    |
| 8297        | Shaft, Drive Arm — SR100                    | 1    |
| 8311        | Screw, #8-32 x .375", Self-Tapping Pan Head | 4    |
| 8323-004    | Ring, Retaining, -31 Basic External         | 1    |
| 8323-017    | Ring, Retaining, -66 Basic External         | 1    |
| 8327-001    | Spacer, Drive Arm to Cwt                    | 1    |
| 8409        | Washer, Roller — SR100                      | 1    |
| 8417        | Stop, Trip Spring                           | 1    |
| 9039        | Flex Handle Assembly                        | 2    |
| 10067-001   | Cap Assy, Arm Bearing — SR100               | 2    |



### BEARING ASSEMBLY, SR100

| part number | description                              | qty. |
|-------------|--|------|
| 6559        | Bearing, Ball, 50 x 80 x 16mm            | 2    |
| 6566        | Gasket, Housing - HD100                  | 2    |
| 6635        | Screw, .3125-18 x 688" Hex Hd. Cap       | 4    |
| 6858        | Cover, Part Circle - HD100               | 1    |
| 6996        | Ring, Brake - HD100                      | 1    |
| 6997        | Seal, Upper - HD100                      | 1    |
| 6998        | Seal, Center - HD100                     | 1    |
| 6999        | O-Ring, -224                             | 1    |
| 7004        | Spring, Brake - HD100                    | 8    |
| 7006        | Screw, .3125-18 x 3.50" Hex Skt Hd Cap   | 3    |
| 7007-001    | O-Ring, -.331, Special, Externally Lubed | 1    |
| 7009        | Seal, Dust - HD100                       | 1    |
| 7031        | Shaft Assembly - HD100                   | 1    |
| 7990        | Screw, .3125-18 x 4.25" Hex Hd Cap       | 3    |
| 7991        | Screw, .3125-18 x 4" Hex Skt Hd Cap      | 3    |
| 8472        | Housing - HD100                          | 1    |
| 8967        | O-Ring -231, Special                     | 1    |
| 10083       | Retainer Assembly - HD100                | 1    |
| 10086       | Flange Assembly, Nelson                  | 1    |
| 10087       | Spacer Assy, Alum. - HD100               | 1    |
| 10087-003   | Spacer Assy, Brass - HD100               | 1    |
| 10088-001   | Flange Assembly, 2" FNPT                 | 1    |
| 10088-002   | Flange Assembly, 2.5" FNPT               | 1    |
| 10088-003   | Flange Assembly, 2" FBSP                 | 1    |
| 10137-001   | Flange Assembly, 2" ANSI/DIN/EURO        | 1    |
| 10297       | Retainer, O-Ring - HD100                 | 1    |
| 10342       | O-Ring, -225                             | 1    |
| 10545       | O-Ring, -149                             | 1    |

### MOUNTING HARDWARE

| part number | description                           | qty. |
|-------------|---------------------------------------|------|
| 7000        | Gasket, Nelson Flange                 | 1    |
| 7039        | Screw, .3125-18 x .75" Hex Skt Hd Cap | 6    |
| 10149       | Gasket, Euro Flange                   | 1    |

### FLANGE GASKET AND FASTENERS FOR MOUNTING GUN

