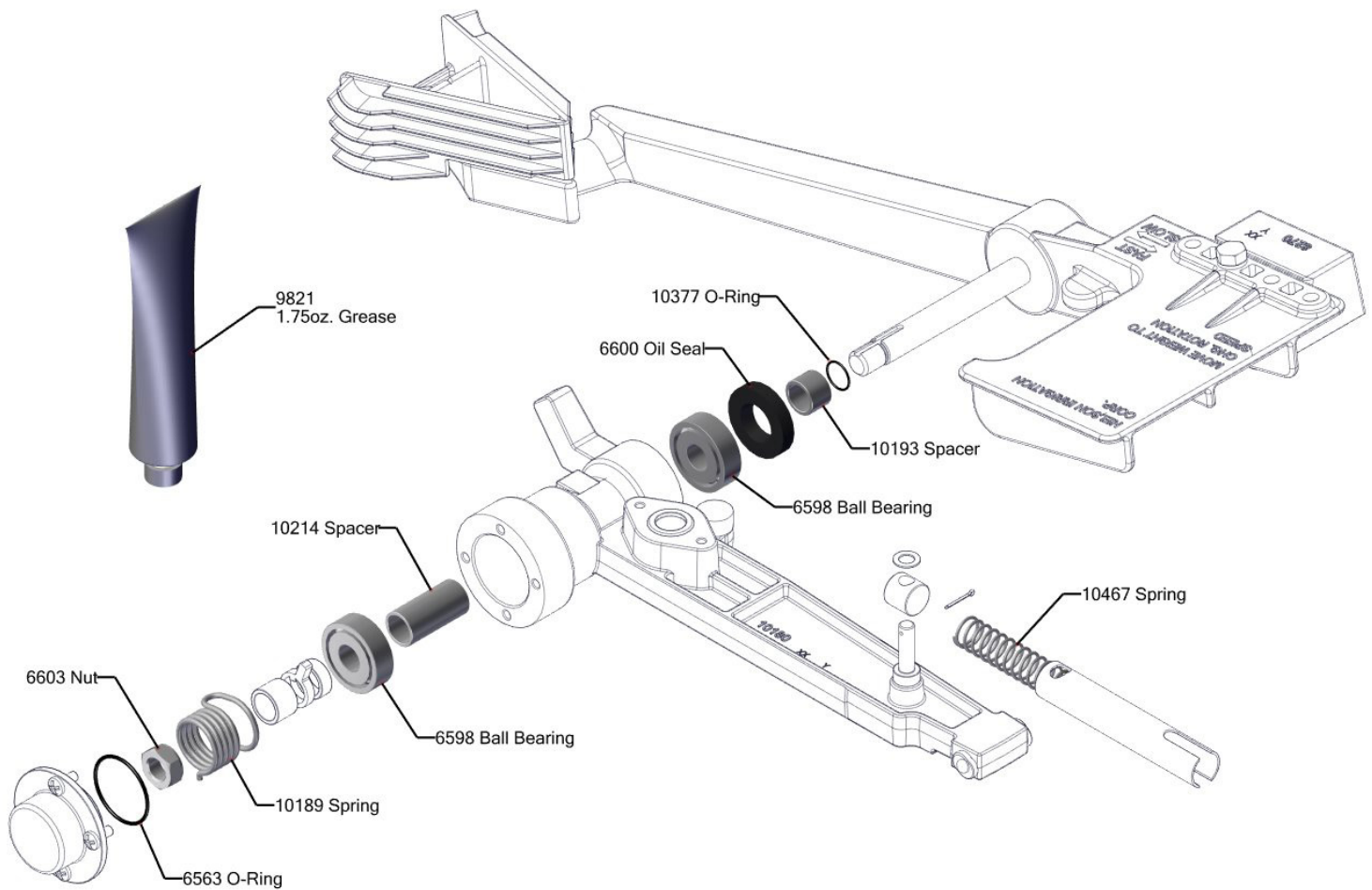


ORIGINAL BIGGUN

SR75 DRIVE ARM KIT

#11090



Item Number	Description	Qty
11090	SERVICE KIT, DRIVE ARM - SR75	
6563	O-RING, -.024	1
6598	BEARING, BALL, 12 x 32 x 10 mm, OPEN	2
6600	SEAL, RADIAL LIP, 1.260" X .625" X .250"	1
6603	NUT, .4375-20 HEX SPCL - F100/SR100/SR150	1
9821	GREASE, LUBRIPLATE 130-AA, 1.75 OZ TUBE	1
10189	SPRING, TORSION - SR75	1
10193	SPACER, DRIVE ARM SHAFT, TEFLON COATED - SR75	1
10214	SPACER, DRIVE ARM BEARING - SR75	1
10377	O-RING, .459 ID X .040 CS	1
10467	SPRING, TRIP - SR75	1

