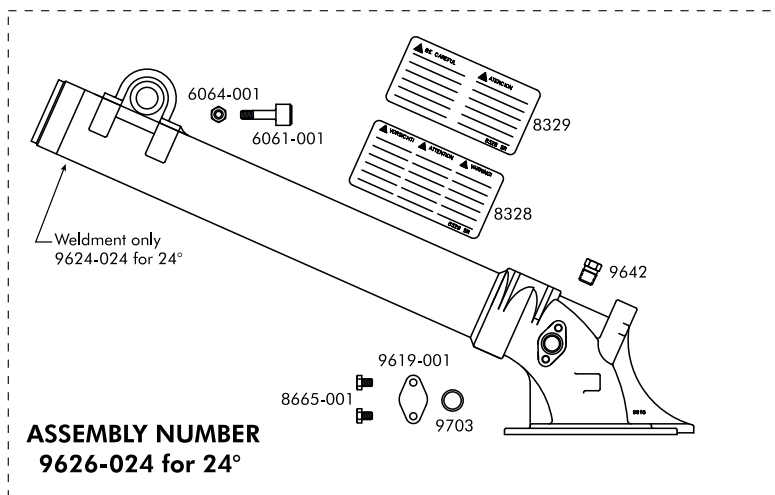
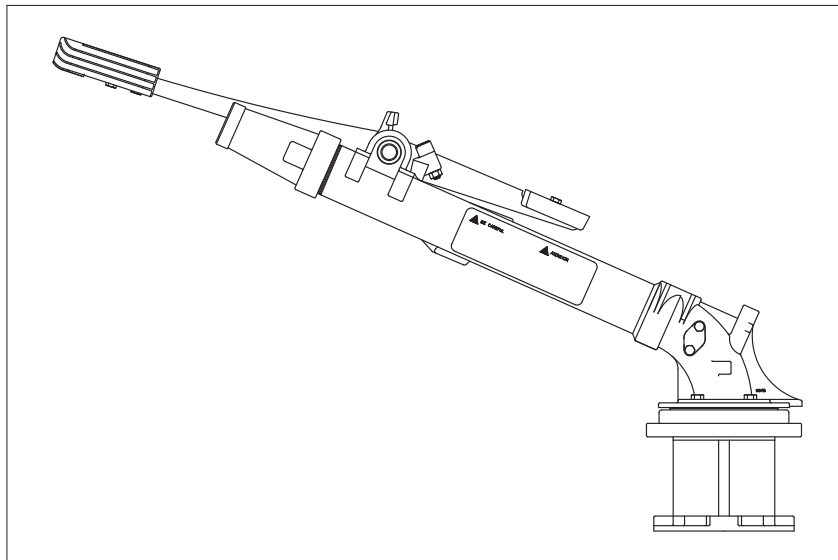


innovation in irrigation™

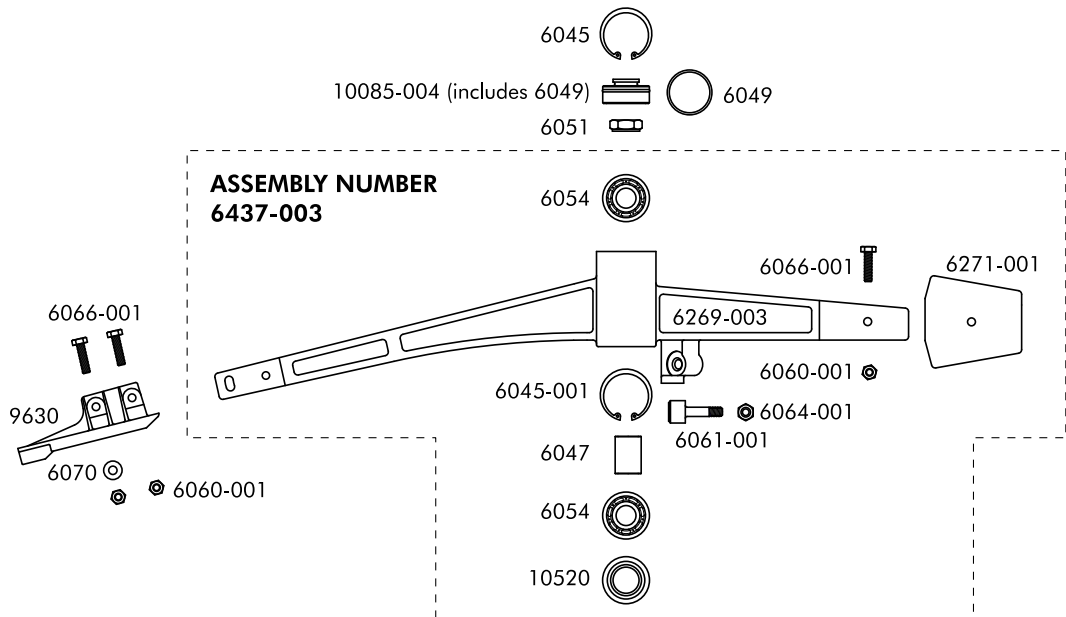


F150SS BIG GUN®

F150SS (STAINLESS STEEL) BIG GUN® PARTS LIST



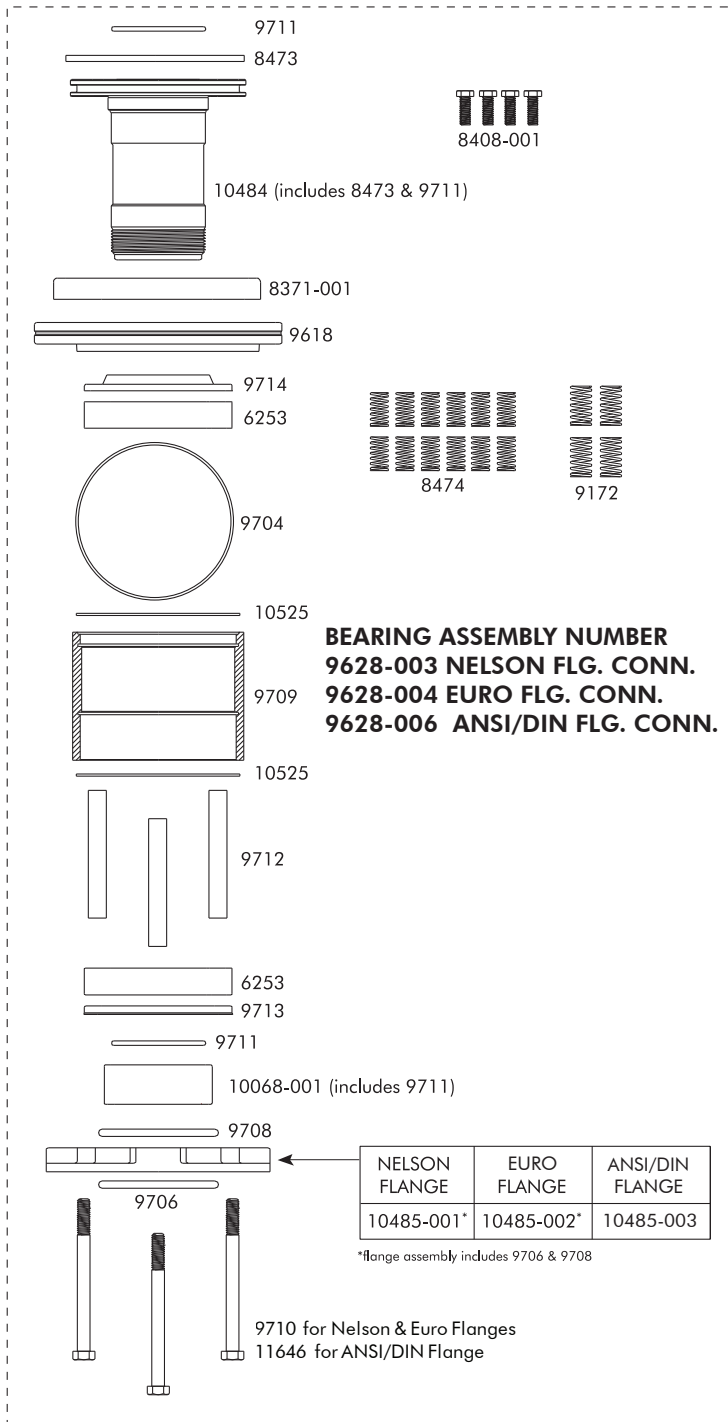
part number	description	qty.
9626-024	BODY ASSEMBLY, 24° F150SS	
6061-001	Bumper Assembly — F150SS	1
6064-001	Nut, .3125-18 Finished Hex, 316 SS	1
8328	Label, Warning — English, Spanish	1
8329	Label, Warning — French, German, Swedish	1
8665-001	Screw, 1/4-20 x .375", 316 SS	2
9619-001	Cover Plate — SR150SS	1
9642	Plug, 1/4"NPT, STN STL	1
9703	O-Ring, -016 Viton	1



part number	description	qty.
6437-008	DRIVE ARM ASSEMBLY, F150SS	
6045-001	Ring, Retaining, -156 Basic Int, Phos Coated	1
6047	Spacer, Arm Bearing — F200	1
6054	Bearing, Ball, 17 x 40 x 12 mm	2
6060-001	Nut, .25-20 Finished Hex, 316 SS	3
6061-001	Bumper Assembly — F150SS	1
6064-001	Nut, .3125-18 Finished Hex, 316 SS	1
6066-001	Screw, .25-20 x 1.00" Hex Head Cap, 316 SS	1
6269-003	Arm, Drive — F150SS	1
6271-001	Weight, Drive Arm — F150SS	1
10520	Seal, Oil, Viton	1

6358-001	COUNTERWEIGHT ASSEMBLY, F150SS	
10520	Seal, Oil, Viton	2
6054	Bearing, Ball, 17 x 40 x 12mm	1
6272-002	Counterweight — F150SS	1

FINAL ASSEMBLY COMPONENTS, F150SS		
6045	Ring, Retaining, -156 Basic Internal	1
6051	Nut, .625-18 Special	1
6052-001	Spacer, Drive Arm to Counterweight — F200	1
6056-001	Nut, .75-16 Centering — F150SS	1
6057-001	Shaft, Drive Arm — F150SS	1
6060-001	Nut, .25-20 Finished Hex, 316 SS	2
6066-001	Screw, .25-20 x 1.00" Hex Head Cap, 316SS	2
6070	Washer, .25" Plain, .281 x .625 x .065	1
8408-001	Screw, .3125-18 x .875" Hex Head Cap, 316 SS	4
9440	Spacer, Cwt to Brkt — F200	1
9630	Spoon, Drive — F150	1
10085-004	Cap Assy, Arm Bearing — F150SS	1



BEARING ASSEMBLY HD150SS

part number	description	qty.
6253	Bearing, Ball	2
8371-001	Brake — HD150SS	1
8408-001	Screw, 5/16-18 x 7/8"	
	Hex Hd Cap, 316 SS	4
8473	Seal, Dust	1
8474	Spring, Brake	12
9172	Spring, Brake, Inner — HD200	4
9618	Cover — HD150SS	1
9704	O-Ring -046, Viton	1
9706	O-Ring -343, Viton	1
9708	O-Ring -338, Viton	1
9709	Housing — HD150SS	1
9710	Screw, Hex Cap, 3/8-16 x 4 1/2" LG., 316 SS	3
9711	O-Ring -230, Viton	2
9712	Spacer — HD150SS	3
9713	Seal, Center — HD150SS	1
9714	Seal, Upper — HD150SS	1
10068-001	Retainer Assembly — HD150SS	1
10484	Stem Assembly — HD150SS	1
10485-001	Nelson Flange Assy — HD150SS	1
10485-002	Euro Flange Assy — HD150SS	1
10485-003	ANSI/DIN Flange Assy — HD150SS	1
10525	Retaining Ring, -433 Spiral Internal	2
11646	Screw, .376-16 x 4.50" LG Hex Skt Hd Cap 316SS	3

MOUNTING HARDWARE

6024-001	Bolt, 3/8-16 x 1 1/2" LG., 316 SS	6
6081-001	Nut, 3/8-16, 316 SS	6
9004-001	Screw, M8 x 1.25 x 25 mm Hex Hd Cap, 316 SS	6

FASTENERS FOR GUN MOUNTING

NELSON FLG. CONN.



METRIC FLG. CONN.



WARRANTY AND DISCLAIMER

Nelson Big Gun sprinklers are warranted for one year from date of original sale to be free of defective materials and workmanship when used within the working specifications for which the product was designed and under normal use and service. The manufacturer assumes no responsibility for installation, is limited solely to replacement or repair of defective parts, and the manufacturer will not be liable for any crop or other consequential damages resulting from any defects or breach of warranty. THIS WARRANTY IS EXPRESSLY IN LIEU OF ALL OTHER WARRANTIES, EXPRESS OR IMPLIED, INCLUDING THE WARRANTIES OF MERCHANTABILITY AND FITNESS FOR PARTICULAR PURPOSES AND OF ALL OTHER OBLIGATIONS OR LIABILITIES OF MANUFACTURER. No agent, employee or representative of the manufacturer has authority to waive, alter or add to the provision of the warranty, nor to make any representations or warranty not contained herein.