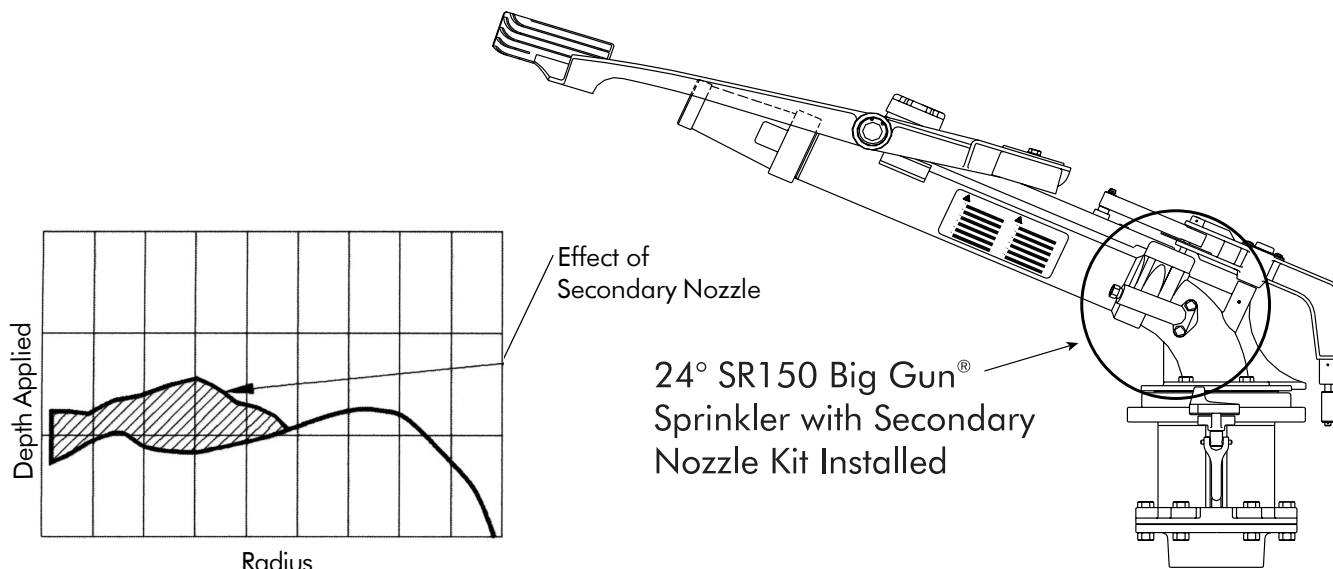
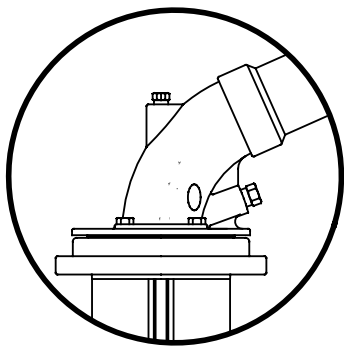


innovation in irrigation™

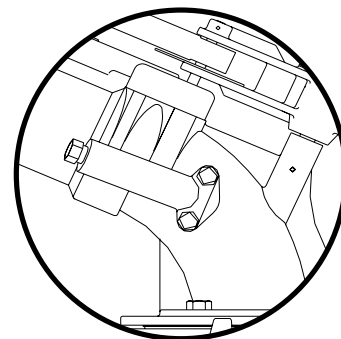
**NELSON****BIG GUN® SECONDARY NOZZLE**

Secondary nozzles can be fitted to all models of Nelson Big Gun® Sprinklers. They are used to apply more water closer to the Big Gun. This is generally not desirable when Big Guns are used on traveling irrigators, but it may be desirable when the Big Guns are used in solid set applications.



The Nelson Big Gun models F75, SR75, F100, F150 and F200, have a secondary nozzle port at the base of the barrel on the inside of the elbow. These models are sold with a brass-threaded plug screwed into the secondary nozzle port.

The models of the Nelson Big Gun® SR100, SR150 and SR200 utilize a secondary elbow assembly that bolts onto the side of the Big Gun elbow. This assembly is optional on the SR100 and SR150 models. It is standard on the SR200 but it is fitted with a brass plug.

**WARRANTY AND DISCLAIMER**

Nelson Big Gun® Sprinklers are warranted for one year from date of original sale to be free of defective materials and workmanship when used within the working specifications for which the products were designed and under normal use and service. The manufacturer assumes no responsibility for installation, removal or unauthorized repair of defective parts. The manufacturer's liability under this warranty is limited solely to replacement or repair of defective parts and the manufacturer will not be liable for any crop or other consequential damages resulting from defects or breach of warranty. THIS WARRANTY IS EXPRESSLY IN LIEU OF ALL OTHER WARRANTIES, EXPRESS OR IMPLIED, INCLUDING THE WARRANTIES OF MERCHANTABILITY AND FITNESS FOR PARTICULAR PURPOSES AND OF ALL OTHER OBLIGATIONS OR LIABILITIES OF MANUFACTURER. No agent, employee or representative of the manufacturer has authority to waive, alter or add to the provisions of this warranty, nor to make any representations or warranty not contained herein.

The follow table shows standard configurations and the additional parts required for secondary nozzle operation.

BIG GUN MODEL	STANDARD CONFIGURATION	ADDITIONAL PARTS REQUIRED FOR SECONDARY NOZZLE OPERATION
F75	Brass Plug	3RN Brass Nozzle -- Specify Size
SR75	Brass Plug	3RN Brass Nozzle -- Specify Size
F100	Brass Plug	3RN Brass Nozzle -- Specify Size
F150	Brass Plug	7RN Brass Nozzle -- Specify Size
F200	Brass Plug	7RN Brass Nozzle -- Specify Size
SR100	Cover Plate on Elbow	Secondary Nozzle Kit #9724, includes two sizes of 3RN Brass Nozzle
SR150	Cover Plate on Elbow	Secondary Nozzle Kit #9724, includes two sizes of 3RN Brass Nozzle
SR200	Secondary Elbow installed with Brass Plug	7RN Brass Nozzle -- Specify Size

### Nozzle Size Selection

The secondary nozzle should deliver approximately 10% of the primary nozzle flow rate. The typical nozzle to use for the 100 series Big Gun® is the 7/32" 3RN nozzle. The typical nozzle to use for the SR150 is the 5/16" 3RN nozzle and the 5/16" 7RN nozzle for the F150.

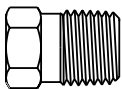
The #9724 kit is used for both the SR100 & the SR150 models. Both the 7/32" & the 5/16" 3RN nozzles are included in the kit.

It is not recommended to use the 5/16" (or larger) nozzle on the SR100 model. Excessive water and a reactionary drive condition may cause the Big Gun® to rotate slowly or stall in one direction.

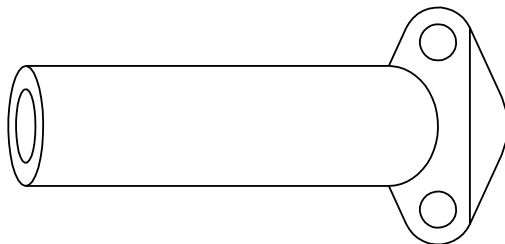
To see pressure and flow information for 3RN nozzle sizes, please refer to the performance charts for the Nelson F33S or F43S impact sprinklers.

To see pressure and flow information for 7RN nozzle sizes, please refer to the performance charts for the Nelson F70P impact sprinklers.

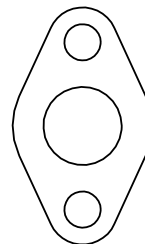
### KIT #9724 FOR SR100 & SR150



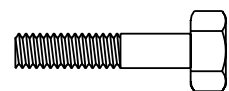
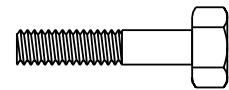
7/32" & 5/16" sizes included



#8497 Secondary Elbow



#8511 Gasket



#6059 Bolt  
 .25-20 x 1.25"  
 Length