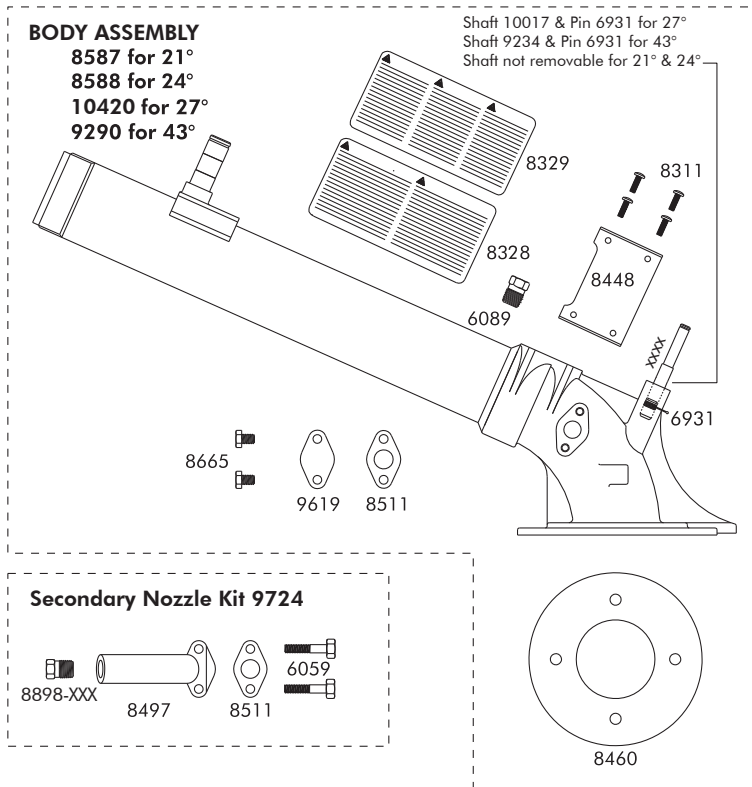
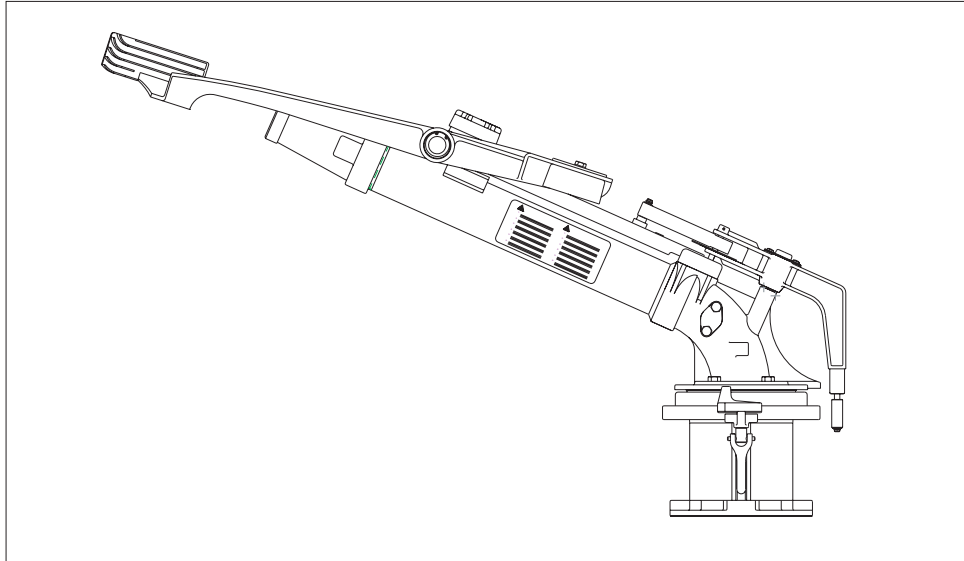


innovation in irrigation™



# SR150 BIG GUN®

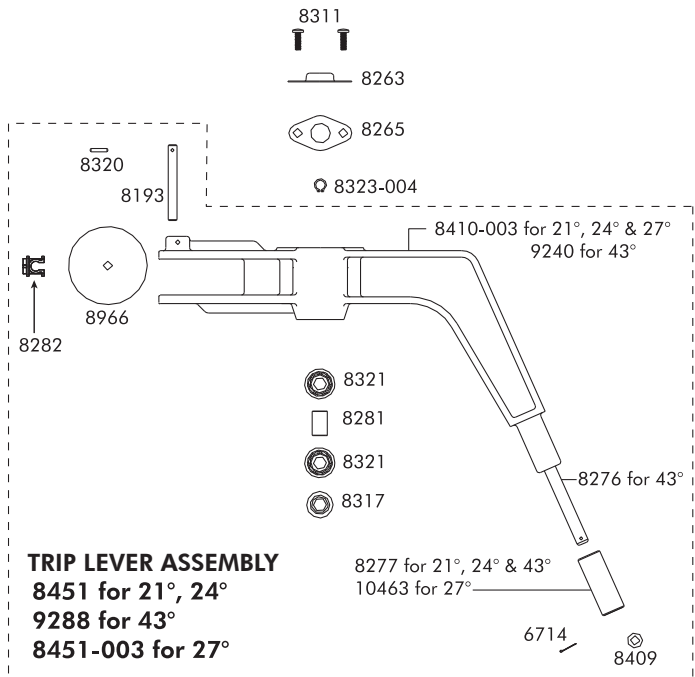
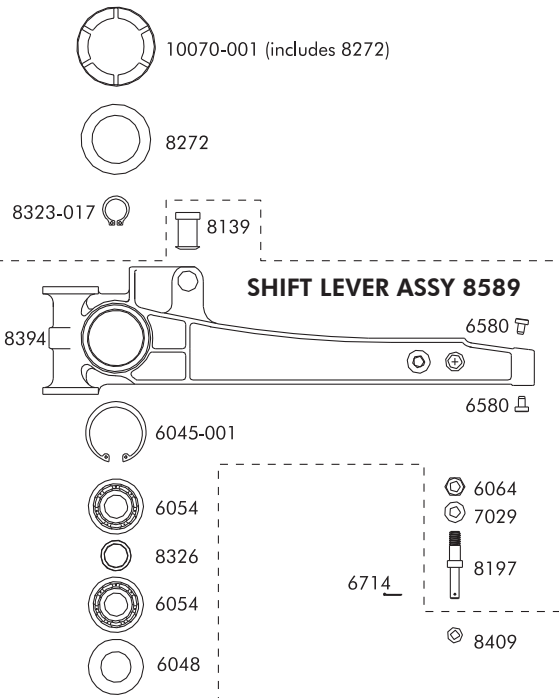
## SR150 BIG GUN® PARTS LIST



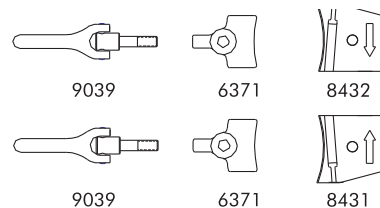
XXXX part number	BODY ASSEMBLIES, SR150 description	qty.
10017	Shaft, Trip Lever, 27°— SR150	1
6089	3RN Plug	1
6931	Pin, Coiled Spring, .125 x .75"	1
	Note: Pin only used on 27° & 43° Models	
8311	Screw, #8-32 x .375"	1
	Self-Tapping Pan HD	1
8328	Label, Warning — English, Spanish, Chinese	1
8329	Label, Warning — German, French, Swedish	1
8448	Bracket, Stop — SR150	1
8460	Gasket, Elbow — SR150	1
8511	Gasket, Sec Noz Elbow — SR150	1
8665	Screw, .25-.20 x .375" Hex HD Cap	1
9234	Shaft, Trip Lever — SR150 43°	1
9289	Tube & Elbow Assy, 43° — SR150	1
9619	Plate, Cover — Secondary Elbow Port	1
<b>9724</b>	<b>SECONDARY NOZZLE KIT</b>	
6059	Screw, .25-20 x 1.25" Hex Hd Cap	2
8898-219	3RN Nozzle, 7/32"	1
8898-312	3RN Nozzle, 5/16"	1
8497	Elbow, Secondary Nozzle	1
8511	Gasket	1

<b>8589</b>	<b>SHIFT LEVER ASSEMBLY, SR150</b>	
part number	description	qty.
6045-001	Ring, Retaining — Internal	1
6048	Seal	1
6054	Bearing, Ball	2
6064	Nut, 5/16-18	1
6580	Insert, Rest Pad	2
7029	Washer, Lock, 5/16"	1
8139	Bumper	1
8197	Pin, Shift	1
8326	Spacer	1
8394	Lever, Shift	1

<b>XXXX</b>	<b>TRIP LEVER ASSEMBLY, SR150</b>	
6714	Pin, Cotter, .062 x .50"	1
8193	Pin, Stop — SR100	1
8276	Shaft, Roller	1
8277	Roller — SR100 Trip	1
8281	Spacer, Trip Lever — SR100	1
8282	Follower, Trip Spring — SR Big Guns	1
8317	Seal, Trip Lever — SR100	1
8320	Pin, Coiled Spring, .094 x .50"	1
8321	Bearing, Ball — 8 x 22 x 7 mm	2
8409	Washer — SR100 Roller	1
8410-003	Lever, Trip — SR150 Die Cast	1
8966	Washer — Trip Lever	1
9240	Lever, Trip — SR150 43°	1
10463	Roller, Trip — SR150 27°	1

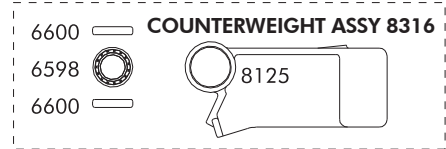
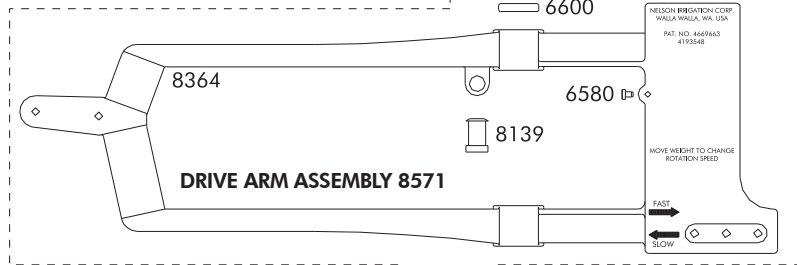
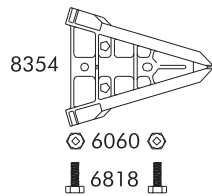


<b>FINAL ASSEMBLY COMPONENTS, SR150</b>		
6371	Clamp — SR150	2
6714	Pin, Cotter, .062 x .50"	1
8263	Cap, Trip Lever — SR100	1
8265	Gasket, Trip Lever Cap — SR100	1
8272	Gasket, Shift Lever Cap — SR100	1
8311	Screw, #8-32 x .375"	
	Self-Tapping Pan HD	2
8323-004	Ring, Retaining, -31, Basic External	1
8323-017	Ring, Retaining, -66, Basic External	1
8409	Washer — SR100 Roller	1
8417	Stop, Trip Spring	1
8431	Stop, CW — SR150	1
8432	Stop, CCW — SR150	1
8446	Guide, Spring — SR150	1
8470	Spring, Trip	1
9039	Flex Handle Assembly	2
10070-001	Cap Assembly, Shift Lever	1

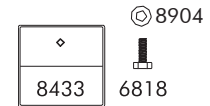
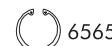
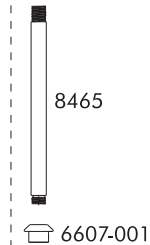


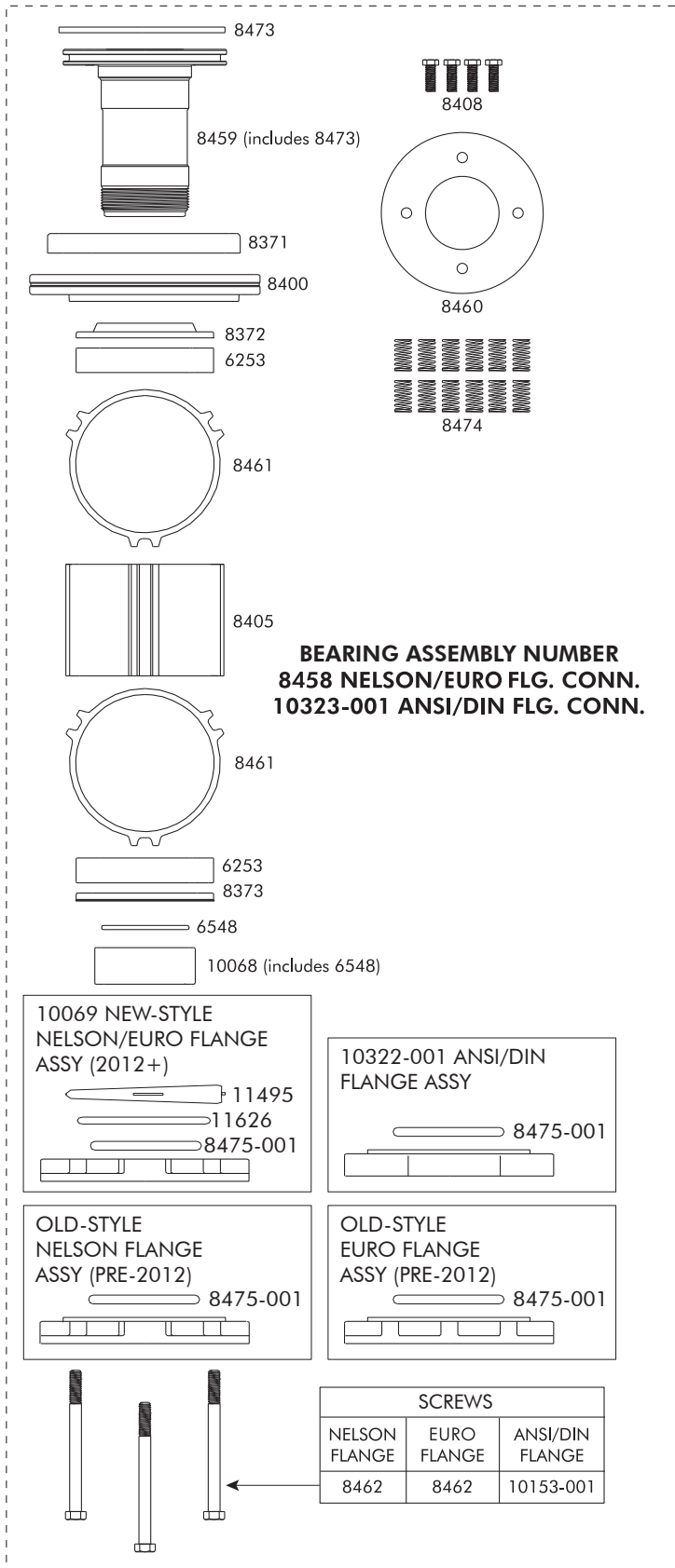
<b>8316</b>	<b>COUNTERWEIGHT ASSEMBLY, SR100</b>	
part number	description	qty.
6598	Bearing, Ball	1
6600	Seal, Oil	2
8125	Counterweight — SR100	1

<b>8571</b>	<b>DRIVE ARM ASSEMBLY, SR150</b>	
6580	Insert, Rest Pad	1
6598	Bearing, Ball	2
6600	Seal	2
8139	Bumper	1
8364	Arm, Drive	1
8570	Ring, Retaining — Internal	1



<b>FINAL ASSEMBLY COMPONENTS, SR150</b>		
6060	Nut, .25-20	2
6563	O-Ring, -024 BN70	1
6565	Ring, Retaining, -125 Basic Internal	2
6603	Nut, .438-20 Special	2
6607-001	Spacer, Cone, Teflon Coated	2
6818	Screw, .25-20 x .75" Hex HD Cap	3
8327-001	Spacer, Coated — Drive Arm to CWT	1
8354	Vane, Drive — SR150	1
8433	Weight, Drive Arm — SR150	1
8465	Shaft, Drive Arm — SR150	1
8904	Washer, Spring Lock, 1/4"	1
10067-001	Cap Assembly, Arm Bearing	2





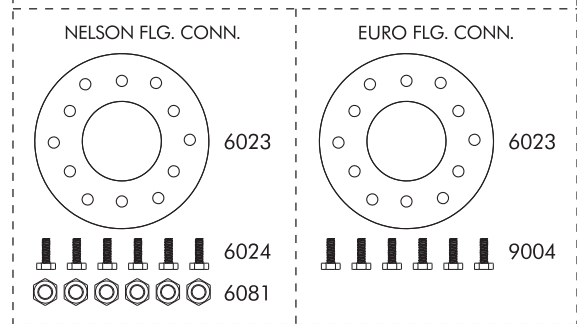
### BEARING ASSEMBLY HD150

6253	Bearing, Ball	2
6548	O-Ring -230	1
8371	Brake	1
8372	Seal, Upper	1
8373	Seal, Center	1
8400	Cover	1
8405	Housing	1
8408	Screw, 5/16-18 x 7/8" Hex Hd Cap	4
8459	Stem Assembly	1
8460	Gasket, Elbow	1
8461	Gasket, Housing	2
8462	Screw, Hex Cap, 3/8-16 x 4 1/2" LG.	3
8473	Seal, Dust	1
8474	Spring, Brake	12
8475-001	O-Ring -338 w/ Grease & Graphite	1
10068	Retainer Assembly	1
10069	Nelson/Euro Flange Assy	1
10153-001	Screw, 3/8-16 x 4.50" Hex Skt Hd Cap	3
10322-001	ANSI/DIN 3" Flange Assy	1
11495	Retainer, O-Ring - HD150	1
11626	O-Ring, -155 BN70	1

### MOUNTING HARDWARE

6023	Gasket, Nelson/Euro Flange	1
6024	Bolt, 3/8-16 x 1 1/2" LG.	6
6081	Nut, 3/8-16	6
9004	Screw, M8 x 1.25 x 25 mm Hex Hd Cap	6

### FLANGE GASKET AND FASTENERS FOR GUN MOUNTING



### WARRANTY AND DISCLAIMER

Nelson Big Gun sprinklers are warranted for one year from date of original sale to be free of defective materials and workmanship when used within the working specifications for which the product was designed and under normal use and service. The manufacturer assumes no responsibility for installation, is limited solely to replacement or repair of defective parts, and the manufacturer will not be liable for any crops or other consequential damages resulting from any defects or breach of warranty. THIS WARRANTY IS EXPRESSLY IN LIEU OF ALL OTHER WARRANTIES, EXPRESS OR IMPLIED, INCLUDING THE WARRANTIES OF MERCHANTABILITY AND FITNESS FOR PARTICULAR PURPOSES AND OF ALL OTHER OBLIGATIONS OR LIABILITIES OF MANUFACTURER. No agent, employee or representative of the manufacturer has authority to waive, alter or add to the provision of the warranty, nor to make any representations or warranty not contained herein.