



R7 ROTATOR®

25-50 PSI (1.7-3.4 BAR)
15-22' RAD. (4.5-6.7 M)



STANDARD 13751-10XXX
FLOW CONTROL 13752-10XXX

GREEN PLATE = 1 | RED PLATE = 2

NOZZLE*

R7 Rotor Assembly (BLACK) 13731		
7 Series Body 12924		
One-Sided Stream Splitter 13149		
Two-Sided Stream Splitter 13150		
Green Plate for Nozzles (FC) 8.5-18; (Standard) *35-*50 13463		Red Plate for Nozzles (FC) 18 & 24; (Standard) *50-*60 13473
Flow Control Nozzle 12720-0xx *(xx = 8.5 (09), 11, 14, 18, & 24 GPH)		Standard ITN Nozzle 12721-0xx *(xx = 35, 40, 45, 50, 55, 60)
QC x 1/2 MNPT 13064-001	QC x 3/8 MNPT 13064-002	QC x Acme with Screen (Connects to 1/2 PVC-4, 1/2 PVC-5, FT2, FT3) 12972
		Adapter for SuperNet Stake, QC x .256" OD Tube 12882-001

THE R7 ROTATOR® IS THE LATEST ADDITION TO THE ROTATOR FAMILY. IT INCORPORATES ALL OF THE BENEFITS OF ROTATOR FULL COVERAGE IRRIGATION WITH THE 7 SERIES MODULARITY AND QUICK-CONNECT, QUICK-CLEAN FEATURES.



UQC-4 & UQC-5 UNIVERSAL MOUNTING OPTIONS

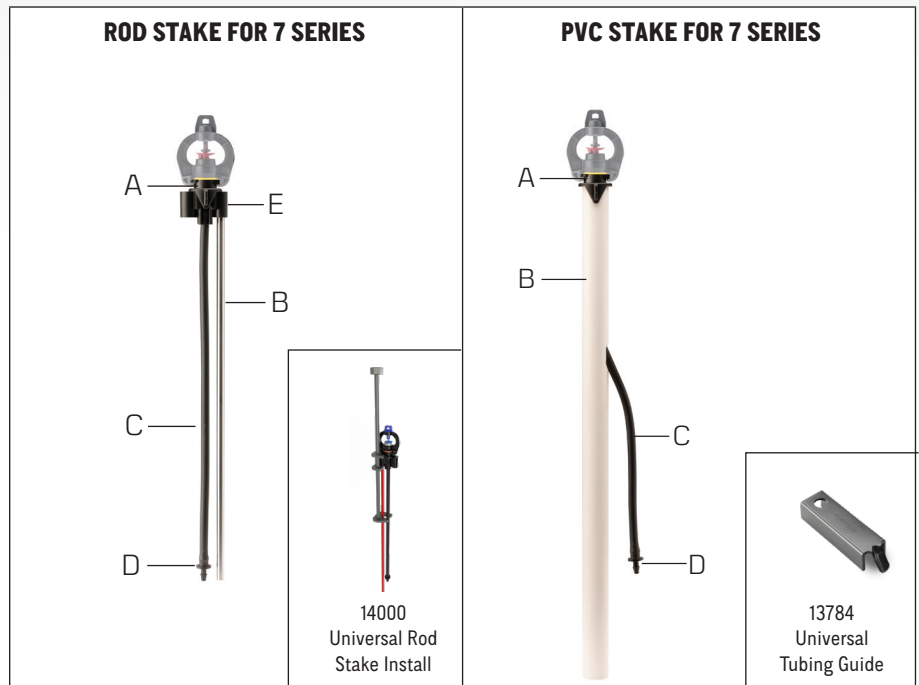
1. Start with **UQC Assembly** (INCLUDES UQC ADAPTER + TUBE & LTO)




Tube Size	Part Number	Tube Length
4mm	13092-012	12 (30 cm)
	13092-018	18 (45 cm)
	13092-024	24 (61 cm)
	13092-030	30 (76 cm)
	13092-048	48 (122 cm)
5mm	13091-024	24 (61 cm)
	13091-030	30 (76 cm)
	13091-048	48 (122 cm)
	13091-072	72 (183 cm)

2. Then order the other components B (STAKE), E (OTHER) separately.

Or order all components individually.

Recommended Max flow for 4 mm = 20 gph (76 lph); or 5 mm = 40 gph (151 lph)



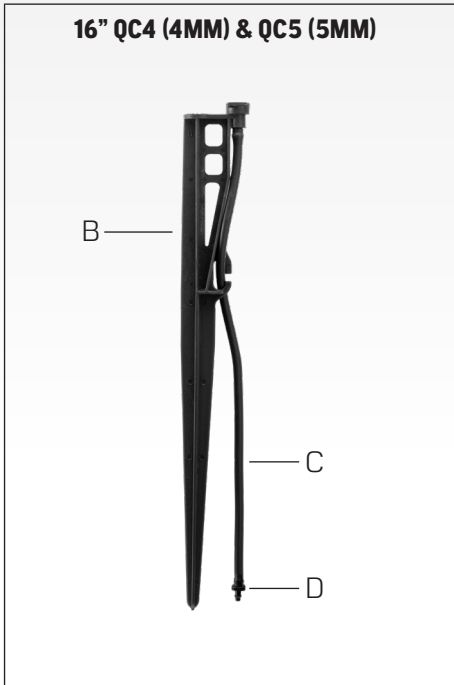
A	ADAPTER	4 mm UQC-4 Adapter: QC x 4 mm Barb (12990-002) 5 mm UQC-5 Adapter: QC x 5 mm Barb (12990-001)		
B	STAKE	4 & 5 mm option: 6.3mm x 24" (61 cm) Steel (9726-024), or Fiberglass (10040-024)	1/2" PVC 16" (40 cm) (11259-216) 22" (56 cm) (11259-222)	
C	TUBE & LTO	4 mm option: 112" (9960-912) / 18" (9960-918) / 24" (9960-924) / 30" (9960-930) / 48" (9960-948) 5 mm option: 24" (11283-024) / 30" (11283-030) / 48" (11283-048) / 72" (11283-072)		
D	LTO	4 mm option: 4 mm Barb x Barb (10080) 5 mm option: 5 mm Barb x Barb (12023)		
E	OTHER	6.3 & 8 mm Universal Rod Stake Adapter (13608)		 NA
	TUBING COILS	4 mm option: 4 mm x 328' (100 m) (10081) / 4 mm x 1000' (305 m) (10082-002) 5 mm option: 5 mm x 328' (100 m) (9284-002) / 5 mm x 1000' (305 m) (9284)		

QC4 & QC5 STAKE & TUBE MOUNTING OPTION

1. Order **QC Stake & Tube Assembly** (INCLUDES 16" STAKE + TUBE & LTO)

16" (40 cm Stake) Assy	Part number	Tube Length & Size
QC4	12983-030	30" (76 cm) 4mm
	12983-048	48" (122 cm) 4mm
QC5	12982-030	30" (76 cm) 5mm
	12982-048	48" (122 cm) 5mm

Or order all components individually. Recommended Max flow for 4 mm = 20 gph (76 lph); or 5 mm = 40 gph (151 lph)

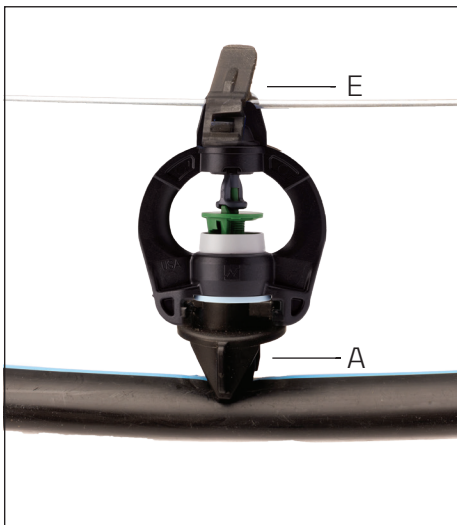


B	STAKE	16" (40 cm) x QC (12981-002)
C	TUBE & LTO	4 mm option: 30" (9960-930) / 48" (9960-948)
		5 mm option: 30" (11283-030) / 48" (11283-048) / 72" (11283-072)
D	LTO	4 mm option: 4 mm Barb x Barb (10080)
		5 mm option: 5 mm Barb x Barb(12023)



UQC-4 & UQC-5 TRELLIS CLIP SYSTEM

1. Order **UQC Adapter & Trellis Clip**



A	ADAPTER	4 mm UQC-4 Adapter: QC x 4 mm Barb (12990-002) 5 mm UQC-5 Adapter: QC x 5 mm Barb (12990-001)
E	CLIP	Trellis Clip (13862)

IMPORTANT: REFER TO MOUNTING INSTRUCTIONS TO ENSURE SPRINKLER REMAINS UPRIGHT

R7 ROTATOR® PERFORMANCE (U.S. & Metric Units)

NOZZLE	PRESSURE IN PSI												PRESSURE IN BAR										
	25		30		35		40		45		50		1.75		2		2.5		3		3.5		
	GPH	R (FT)	GPH	R (FT)	GPH	R (FT)	GPH	R (FT)	GPH	R (FT)	GPH	R (FT)	LPH	R (M)	LPH	R (M)	LPH	R (M)	LPH	R (M)	LPH	R (M)	
GREEN PLATE	● "35 Orange	—	—	—	—	11.7	17	12.5	17	13.3	18	14.0	18	—	—	—	—	45	5.2	49	5.3	54	5.5
	● "40 Blue	12.2	18	13.4	19	14.6	19	15.6	19	16.6	19	17.5	19	47	5.5	50	5.6	56	5.8	62	5.9	67	5.8
	● "45 Purple	15.6	20	17.2	20	18.6	20	19.9	21	21.2	22	22.3	22	60	6	64	6.1	72	6.3	79	6.5	85	6.8
	● "50 Green	18.9	20	20.8	21	22.5	22	24.1	22	25.6	21	27.2	20	72	6.1	77	6.4	87	6.7	95	6.6	103	6
	● 8.5 Orange 7FC	—	—	—	—	8.7	16	8.5	16	8.2	15	7.8	15	—	—	—	—	33	4.9	32	4.7	29	4.6
	● 11 Blue 7FC	11.7	18	11.3	18	10.7	17	10.1	16	9.9	16	9.8	15	44	5.5	43	5.4	40	5.1	37	4.8	37	4.5
	● 14 Purple 7FC	14.7	20	14.4	19	13.8	19	13.4	19	13.1	18	12.9	17	56	6	55	5.9	52	5.8	50	5.5	49	5.3
	● 18 Yellow 7FC	18.6	21	18.2	21	17.5	21	17.3	21	17.3	20	17.4	20	70	6.4	69	6.4	66	6.4	65	6.3	66	6.1
RED PLATE	● "50 Green	18.9	20	20.8	20	22.5	21	24.1	21	25.6	21	27.2	21	72	6.1	77	6.2	87	6.3	95	6.4	103	6.4
	● "55 Yellow	22.9	22	25.1	22	27.1	22	29.1	22	30.9	22	32.7	22	87	6.7	93	6.7	105	6.7	115	6.7	124	6.7
	● "60 Red	35.7	22	39.2	23	42.4	23	45.4	23	48.3	23	51.1	22	105	6.8	113	6.9	126	7.1	139	7	150	6.6
	● 18 Yellow 7FC	—	—	—	—	17.5	20	17.3	20	17.3	20	17.4	20	—	—	—	—	66	6.1	65	6.1	66	6.1
	● 24 Red 7FC	—	—	25.7	21	25.3	21	24.1	21	23.5	21	23.4	21	—	—	98	6.4	94	6.4	89	6.4	89	6.4

7FC FLOW CONTROL NOZZLE Cv*

● 8.5 Orange 7FC*	0.024
● 11 Blue 7FC*	0.024
● 14 Purple 7FC*	0.036
● 18 Yellow 7FC*	0.030
● 24 Red 7FC*	0.016

*Manufacturer's Coefficient of Variation



Mounting the R7 with the trellis clip reduces irrigation system cost by eliminating the tube and stake assemblies. Systems with sprinklers and lateral pipes mounted on trellis wires cost less to maintain.



The 7 Series Quick Clean (QC) technology reduces irrigator hours — simply turn, flush and reconnect.



Rotator full coverage irrigation systems reduce and control dust, prevent wind erosion, reduce soil cracking, allow for cover crops and mitigate salinity buildup caused by drip irrigation.



WARRANTY & DISCLAIMER: Nelson R7 Rotators and accessories are warranted for one year from date of original sale to be free of defective materials and workmanship when used within the working specifications for which the product was designed and under normal use and service. The manufacturer assumes no responsibility for installation, removal or unauthorized repair. The manufacturer's liability under this warranty is limited solely to replacement or repair of defective parts, and the manufacturer will not be liable for any crop or other consequential damages resulting from any defects in design or breach of warranty. THIS WARRANTY IS EXPRESSLY IN LIEU OF ALL OTHER WARRANTIES, EXPRESS OR IMPLIED, INCLUDING THE WARRANTIES OF MERCHANTABILITY AND FITNESS FOR PARTICULAR PURPOSES AND OF ALL OTHER OBLIGATIONS OR LIABILITIES OF MANUFACTURER. No agent, employee or representative of the manufacturer has authority to waive, alter or add to the provisions of warranty, nor to make representations or warranty not contained herein.

848 Airport Road, Walla Walla, Washington 99362 U.S.A.
Tel: +1 509.525.7660 / Fax: +1 509.525.7907
info@nelsonirrigation.com / nelsonirrigation.com