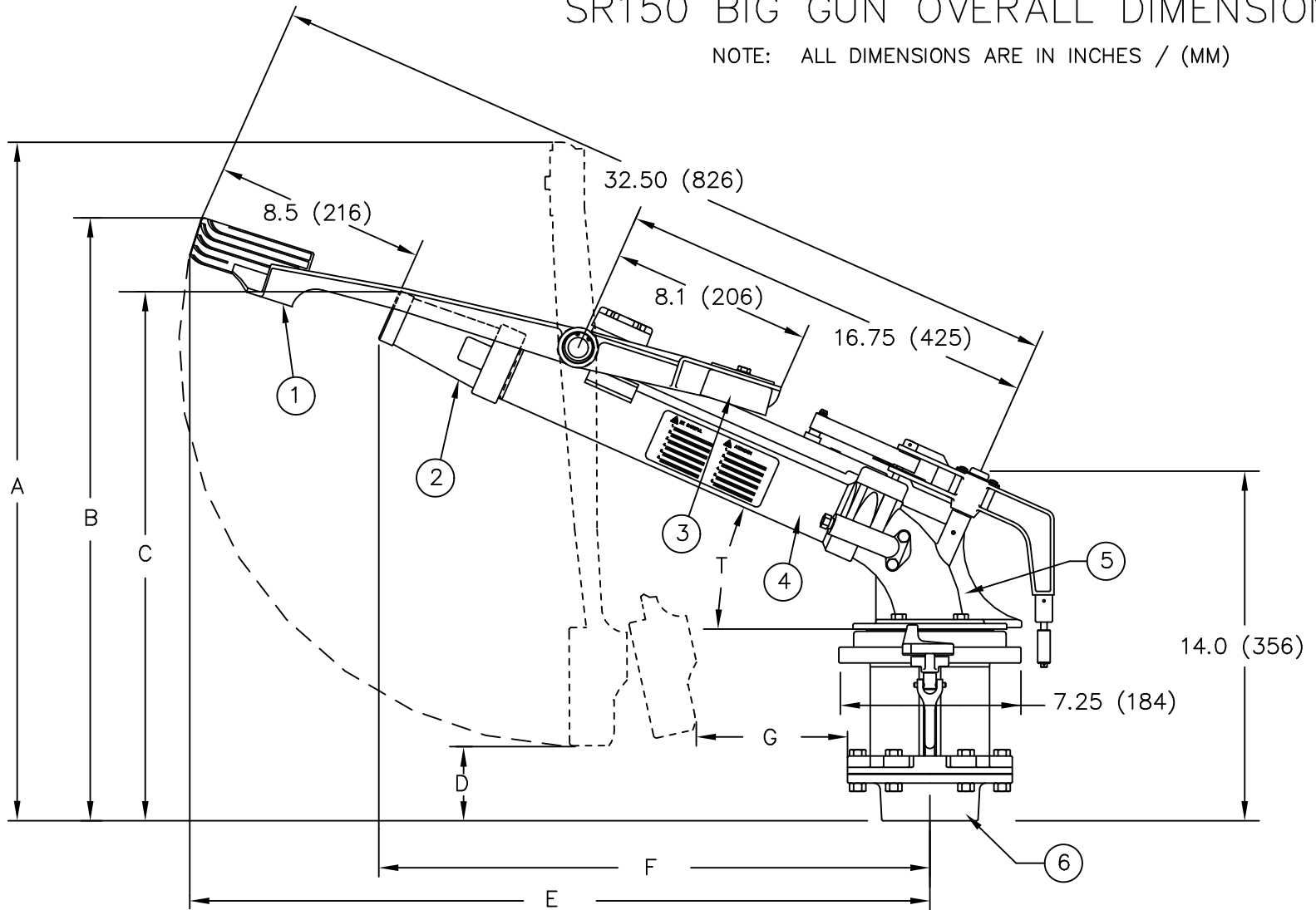


# SR150 BIG GUN OVERALL DIMENSIONS

NOTE: ALL DIMENSIONS ARE IN INCHES / (MM)



DIMENSION TABLE

	21°		24°	
A	26.0	660	26.75	679
B	22.75	578	24.0	610
C	20.25	514	20.75	527
D	2.15	55	2.9	74
E	30.0	762	29.0	737
F	23.0	584	22.0	559
G	5.9	150	6.0	152

MATERIAL TABLE

	PART	MATERIAL
1	ARM	ALUMINUM
2	NOZZLE	ALUMINUM
3	ARM WEIGHT	CAST IRON
4	RANGE TUBE	ALUMINUM
5	ELBOW	ALUMINUM
6	FLANGE	CAST IRON

