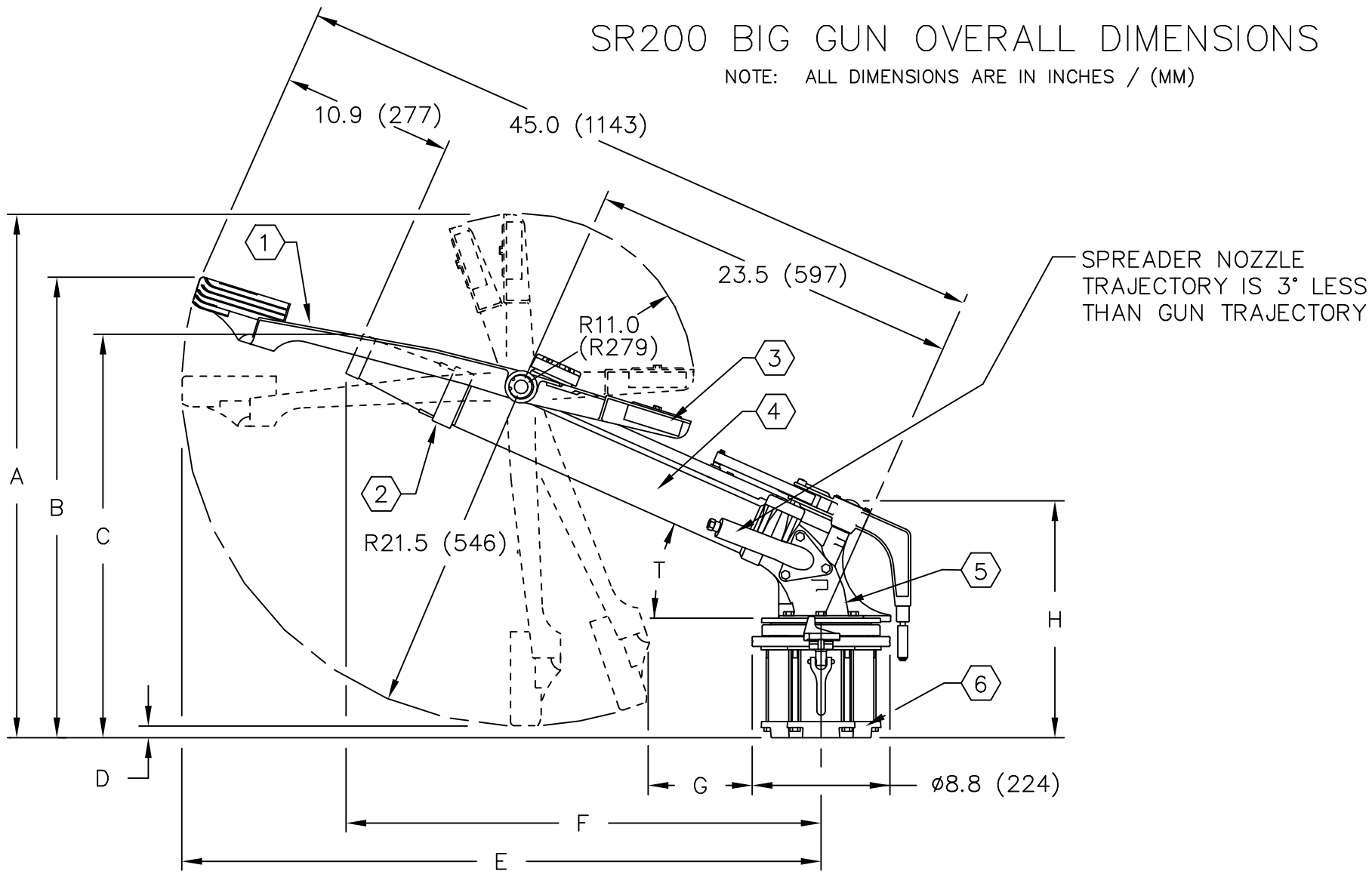


SR200 BIG GUN OVERALL DIMENSIONS

NOTE: ALL DIMENSIONS ARE IN INCHES / (MM)



DIMENSION TABLE

| ITEM | GUN TRAJECTORY (T) | | | | | |
|------|--------------------|------|------|------|------|------|
| | 21° | | 24° | | 27° | |
| A | 32.6 | 828 | 33.3 | 846 | 34.0 | 864 |
| B | 27.5 | 699 | 29.3 | 744 | 31.0 | 787 |
| C | 24.4 | 620 | 25.6 | 650 | 26.8 | 681 |
| D | .1 | 3 | .7 | 18 | 1.4 | 36 |
| E | 41.4 | 1052 | 40.6 | 1031 | 39.8 | 1011 |
| F | 31.0 | 787 | 30.2 | 767 | 29.3 | 744 |
| G | 6.4 | 163 | 6.5 | 165 | 6.6 | 168 |
| H | 15.5 | 394 | 15.1 | 384 | 14.6 | 371 |

MATERIAL TABLE

| ITEM | PART | MATERIAL |
|------|------------|-------------|
| 1 | ARM | ALUMINUM |
| 2 | NOZZLE | ALUMINUM |
| 3 | ARM WEIGHT | CAST IRON |
| 4 | RANGE TUBE | ALUMINUM |
| 5 | ELBOW | ALUMINUM |
| 6 | FLANGE | ANOD. ALUM. |

