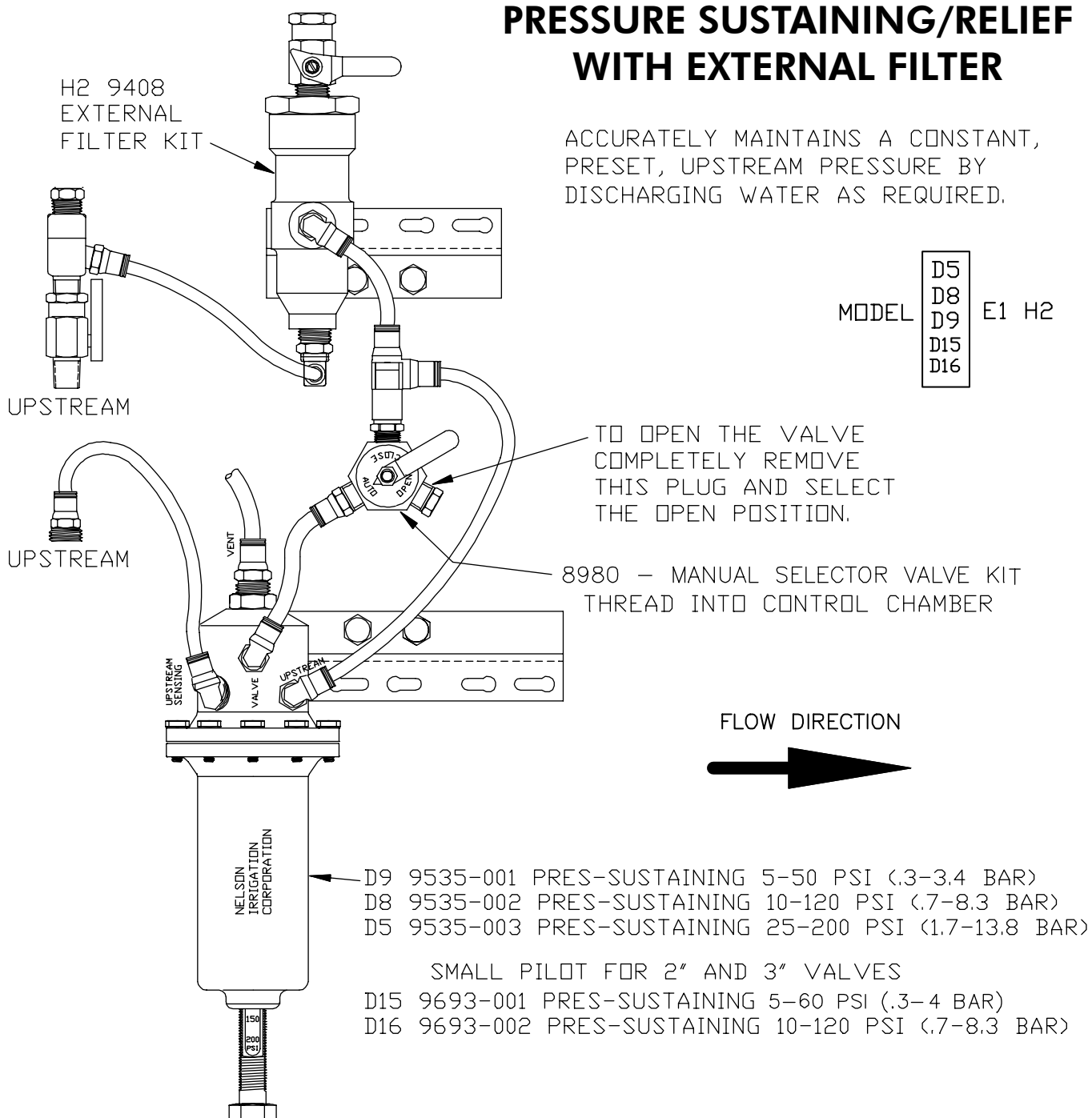


**PRESSURE SUSTAINING/RELIEF
WITH EXTERNAL FILTER**

ACCURATELY MAINTAINS A CONSTANT, PRESET, UPSTREAM PRESSURE BY DISCHARGING WATER AS REQUIRED.

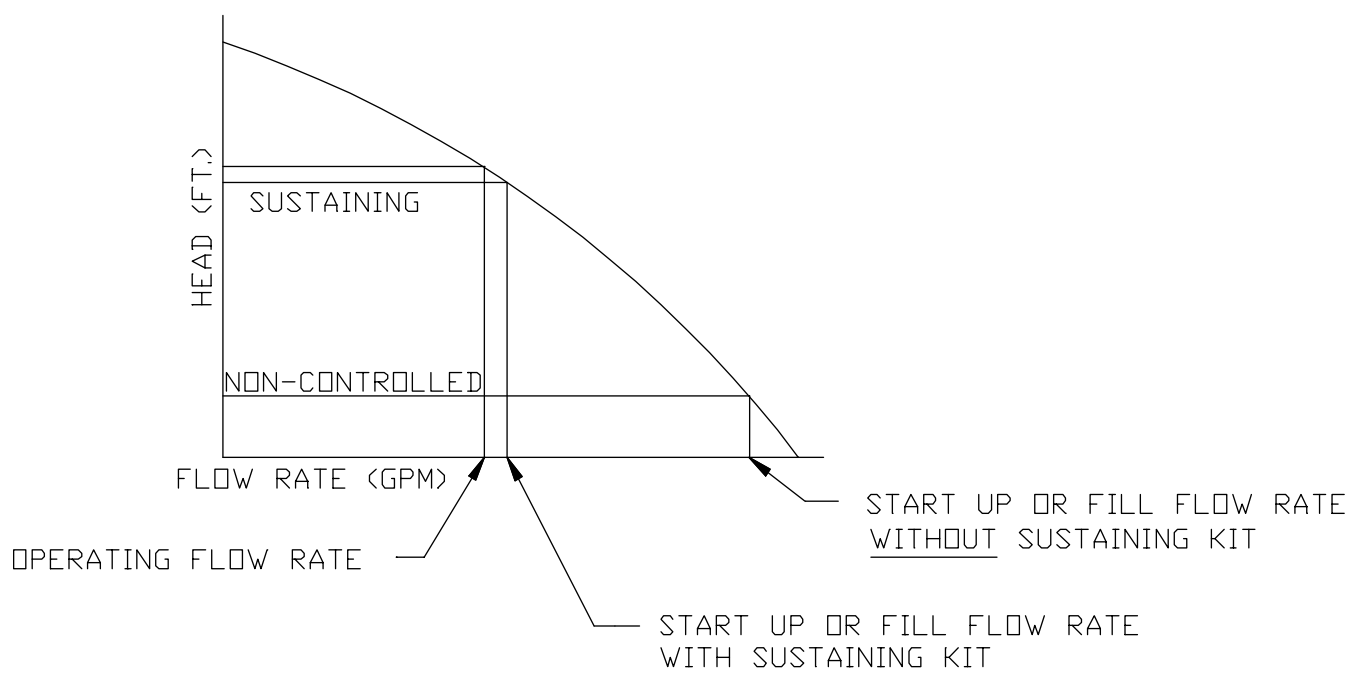


VALVE SIZE	TUBING SIZE	OPENING SPEEDS		CLOSING SPEEDS
2 INCH	1/4 INCH	1 SEC (1-220 GPM)	3 SEC (1-800 GPM)	4 SEC (220-1 GPM)
3 INCH	1/4 INCH	1 SEC (1-300 GPM)	2 SEC (1-1100 GPM)	4 SEC (300-1 GPM)
4 INCH	1/4 INCH	2 SEC (1-900 GPM)	3 SEC (1-1500 GPM)	4 SEC (900-1 GPM)
6 INCH	3/8 INCH	3 SEC (1-1500 GPM)		26 SEC (1500-1 GPM)

PRESSURE SUSTAINING Typical Application

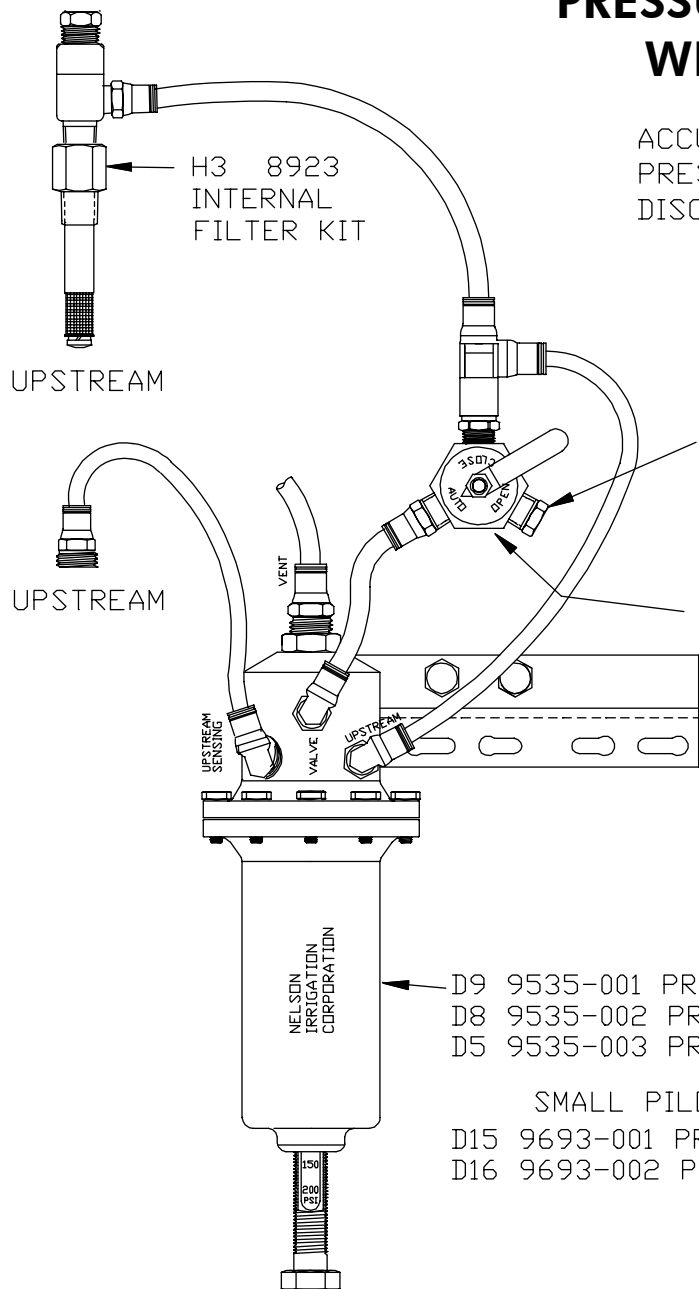
OBJECTIVE

PREVENT START UP OR FILL FLOW RATE FROM BEING SO HIGH THAT IT CREATES WATER HAMMER. THIS IS ACCOMPLISHED BY USING THE SUSTAINING CONTROL TO HOLD BACK PRESSURE AGAINST THE PUMP.



PRESSURE SUSTAINING/RELIEF WITH INTERNAL FILTER

ACCURATELY MAINTAINS A CONSTANT, PRESET, UPSTREAM PRESSURE BY DISCHARGING WATER AS REQUIRED.



MODEL

D5
D8
D9
D15
D16

 E1 H3

TO OPEN THE VALVE COMPLETELY REMOVE THIS PLUG AND SELECT THE OPEN POSITION.

8980 – MANUAL SELECTOR VALVE KIT THREAD INTO CONTROL CHAMBER

FLOW DIRECTION



- D9 9535-001 PRES-SUSTAINING 5-50 PSI (.3-3.4 BAR)
- D8 9535-002 PRES-SUSTAINING 10-120 PSI (.7-8.3 BAR)
- D5 9535-003 PRES-SUSTAINING 25-200 PSI (1.7-13.8 BAR)

SMALL PILOT FOR 2" AND 3" VALVES

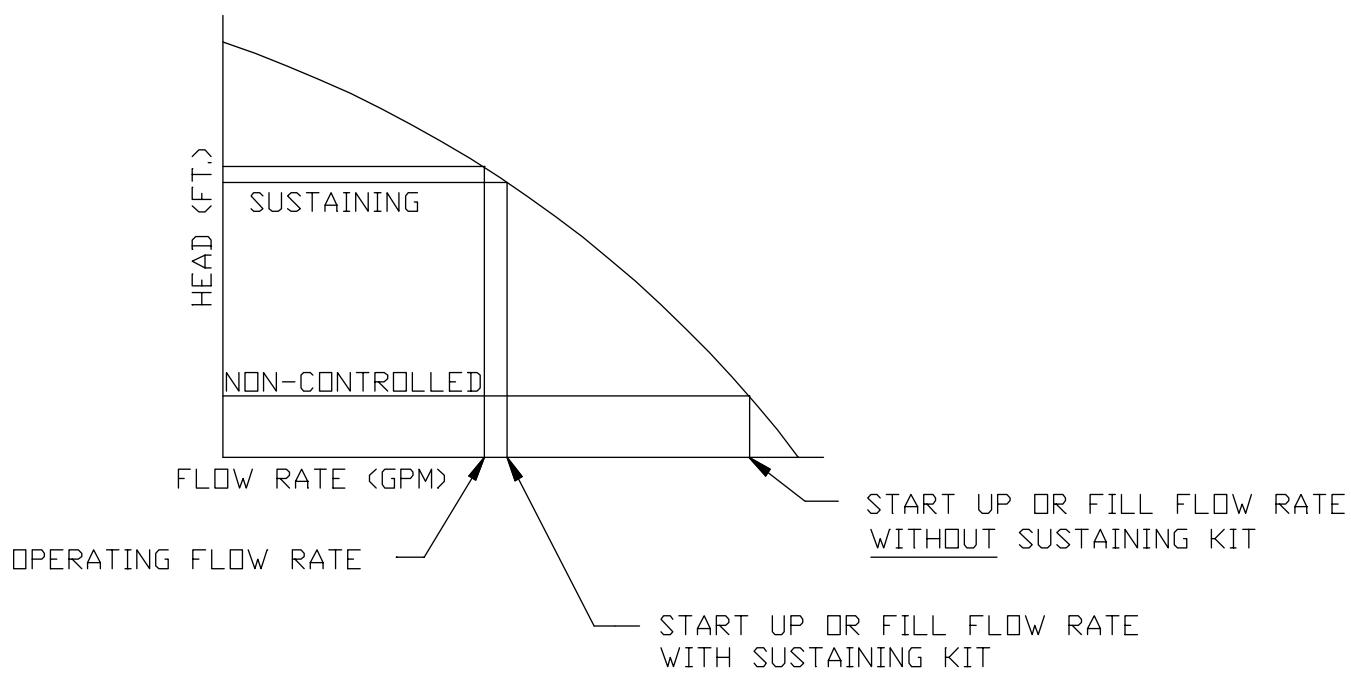
- D15 9693-001 PRES-SUSTAINING 5-60 PSI (.3-4 BAR)
- D16 9693-002 PRES-SUSTAINING 10-120 PSI (.7-8.3 BAR)

VALVE SIZE	TUBING SIZE	OPENING AND CLOSING SPEEDS		
		OPENING		CLOSING
2 INCH	1/4 INCH	1 SEC (1-220 GPM)	3 SEC (1-800 GPM)	3 SEC (220-1 GPM)
3 INCH	1/4 INCH	1 SEC (1-300 GPM)	2 SEC (1-1100 GPM)	3 SEC (300-1 GPM)
4 INCH	1/4 INCH	2 SEC (1-900 GPM)	3 SEC (1-1500 GPM)	3 SEC (900-1 GPM)
6 INCH	3/8 INCH	3 SEC (1-1500 GPM)		21 SEC (1500-1 GPM)
8 INCH	3/8 INCH			

PRESSURE SUSTAINING Typical Application

OBJECTIVE

PREVENT START UP OR FILL FLOW RATE FROM BEING SO HIGH THAT IT CREATES WATER HAMMER. THIS IS ACCOMPLISHED BY USING THE SUSTAINING CONTROL TO HOLD BACK PRESSURE AGAINST THE PUMP.



PRESSURE SUSTAINING WITH HYDRAULIC RELAY & EXTERNAL FILTER

HYDRAULIC RELAY PRESSURIZED AT SIGNAL PORT: PRESSURE SUSTAINING VALVE AUTOMATICALLY MAINTAINS A CONSTANT, PRESET UPSTREAM PRESSURE BY DISCHARGING WATER AS REQUIRED.
HYDRAULIC RELAY NOT PRESSURIZED AT SIGNAL PORT: VALVE WILL CLOSE.

NOTE: SIGNAL PORT PRESSURE MUST BE EQUAL TO OR GREATER THAN UPSTREAM PRESSURE IN ORDER TO ACTIVATE HYDRAULIC RELAY CORRECTLY.

