

TWIG-V PLUS / TWIG-V PLUS SE

Solar Powered Twig-V Radio (RTU) with Integrated Solenoid.



FEATURES:

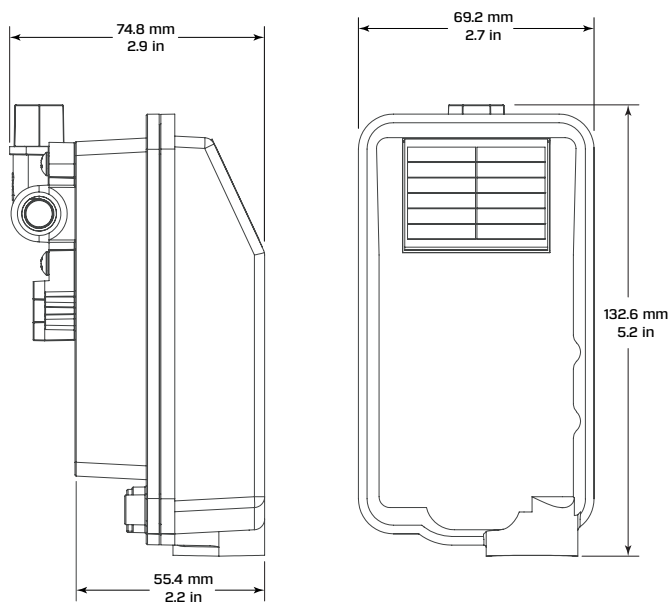
- **Compact** design combines a 12 VDC latching solenoid with Twig-V radio network compatibility.
- **Truly wireless:** no wire connections between a solenoid and RTU.
- Optional SE "Switch Enabled" model connects to a flow or pressure switch to **verify** valve operation.
- **Solar powered** with rechargeable battery lasts up to 5 irrigation seasons, and 5,000 cycles on a single charge.
- **Fast response:** radio commands occur within 3 seconds.
- Available **factory installed** on Nelson valves.
- Adaptable orifice to adjust valve reaction speed.

SPECIFICATIONS

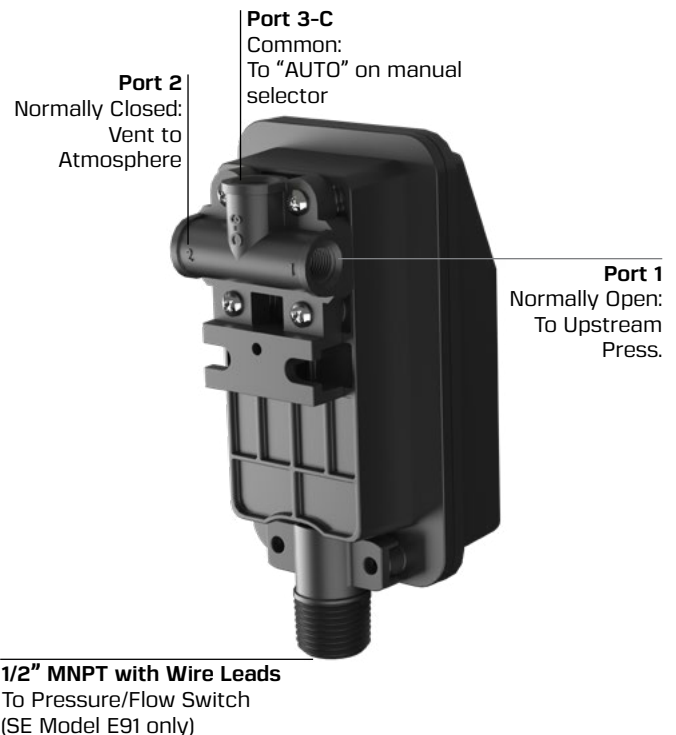
MODEL	DESCRIPTION	SWITCH ENABLED	SERIAL ID#
E90	Twig-V Plus	NO	1-XXXXX
E91	Twig-V Plus SE	YES	5-XXXXX

- **Radio:** LoRa, Twig-V Radio network compatible
 - 902-928 MHz, channels 2-50 (Americas)
 - 915-928 MHz, channels 27-50 (Australia)
- **Bluetooth®:** setup and initialization using the Twig-V App for iOS and Android mobile devices.
- **Solar Panel:** 35 mm x 42 mm, 245 mW
- **Battery:** LiFePO4 Rechargeable, 14505 Cell, 3.2 V, 600 mAh
- **Max. Pressure:** 175 psi (12 bar)
- **Ports:** 1/8" FNPT
- **Orifice:** 4 mm internal orifice, and 2 mm orifice adapter installed in common port.
- **Switch Enabled, "SE" (Model E91):**
 - Verifies valve state by reading pressure switch (use pressure switch #13381-xxx)
 - 1/2" MNPT conduit connection with 20 AWG wire leads (24")

DIMENSIONS

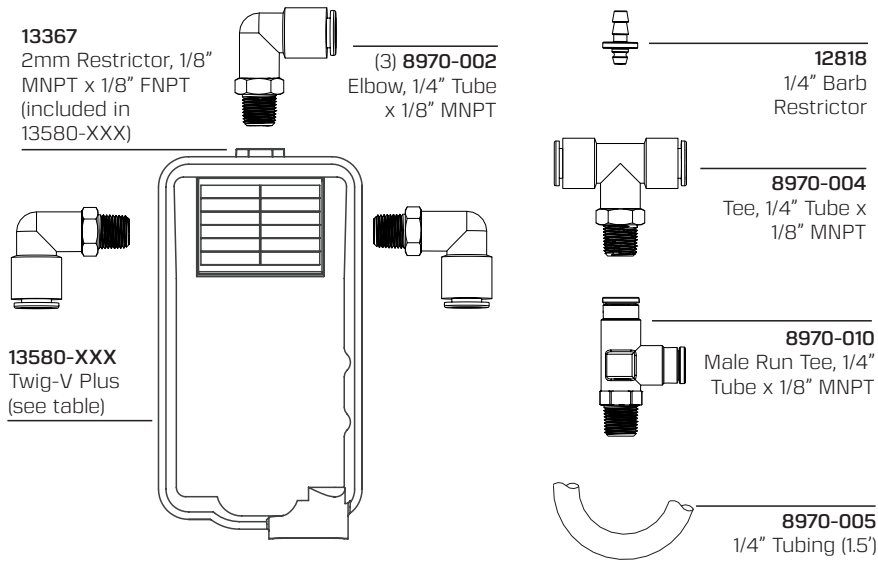


PORTS



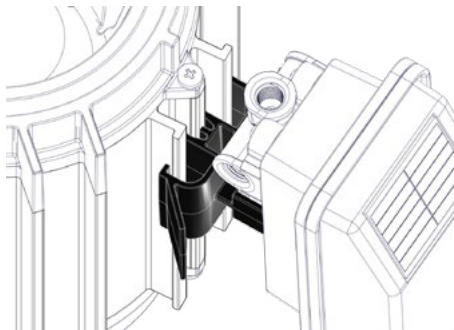
KITS AND INSTALLATION FOR 1000 SERIES VALVES

MODEL	DESCRIPTION	KIT PART NUMBER	TWIG-V PLUS PART NUMBER
E90	Twig-V Plus	#12575-090	#13580-001
E91	Twig-V Plus SE	#12575-091	#13580-005

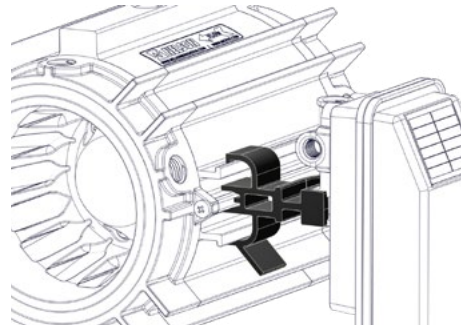


Mounting Hardware Included in 1000 Series Kit

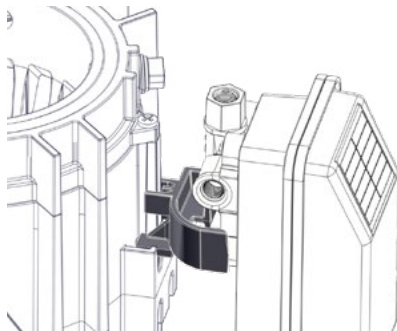
#14070 Clip
For Vertical 1000 Series (Aluminum Jacket/Rail Mount)



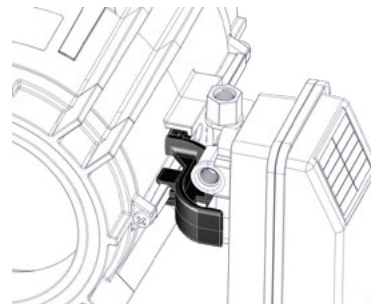
#12498 Clip
For Horizontal 1000 Series (Aluminum Jacket/Rail Mount)



#14064 Clip
For Vertical 1000 Series (Plastic Jacket/Snap-in)

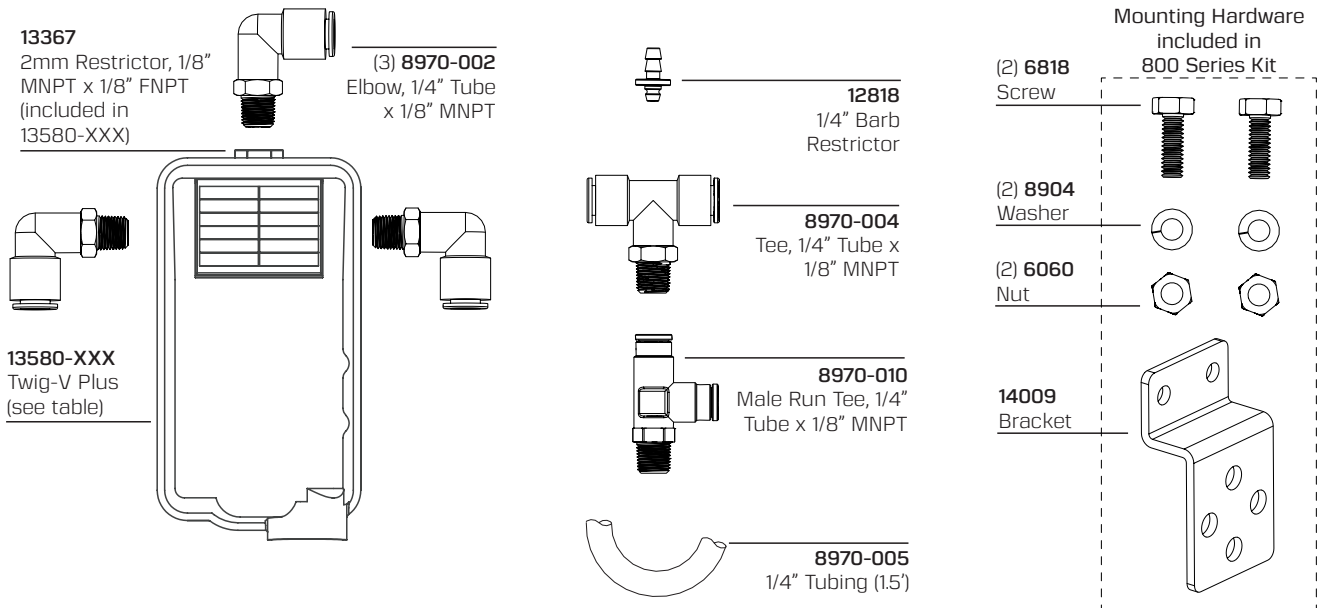


#12443 Clip
For Horizontal 1000 Series (Plastic Jacket/Snap-in)



KITS AND INSTALLATION FOR 800 SERIES VALVES

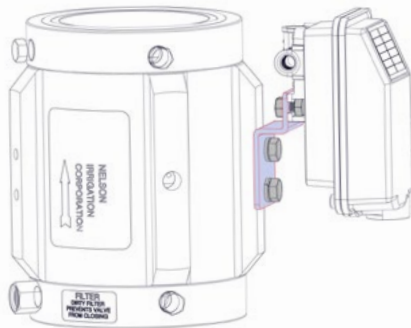
MODEL	DESCRIPTION	KIT PART NUMBER	TWIG-V PLUS PART NUMBER
E90	Twig-V Plus	#8925-090	#13580-001
E91	Twig-V Plus SE	#8925-091	#13580-005



Mounting

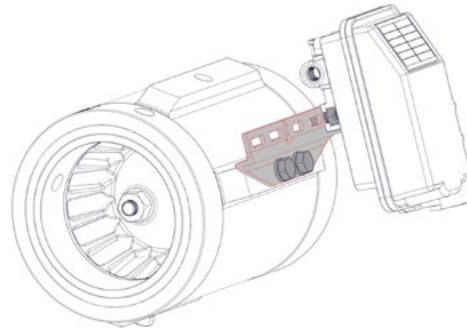
Vertical 800 Series Valve

Use Bracket #14009 and included hardware



Horizontal 800 Series Valve

Mount to existing #8983 bracket using included hardware



Nelson products are warranted for one year from date of original sale to be free of defective materials and workmanship when used within the working specifications for which the product was designed and under normal use and service. The manufacturer assumes no responsibility for installation, removal or unauthorized repair. The manufacturer's liability under this warranty is limited solely to replacement or repair of defective parts, and the manufacturer will not be liable for any crop or other consequential damages resulting from any defects in design or breach of warranty. THIS WARRANTY IS EXPRESSLY IN LIEU OF ALL OTHER WARRANTIES, EXPRESS OR IMPLIED, INCLUDING THE WARRANTIES OF MERCHANTABILITY AND FITNESS FOR PARTICULAR PURPOSES and of all other obligations or liabilities of manufacturer. No agent, employee or representative of the manufacturer has authority to waive, alter or add to the provisions of warranty, nor to make representations or warranty not contained herein.

See www.nicpat.com for a list of patent numbers.

TWIG® is a registered trademark of Nelson Irrigation Corporation. The Bluetooth® word mark and logos are registered trademarks owned by Bluetooth SIG, Inc. and any use of such marks by Nelson Irrigation Corporation is under license. Copyright ©2024 Nelson Irrigation Corporation.